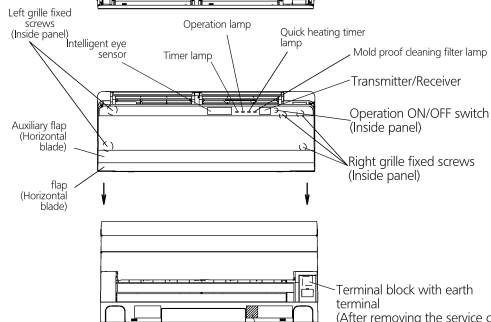
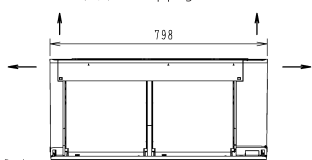
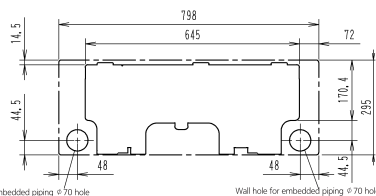
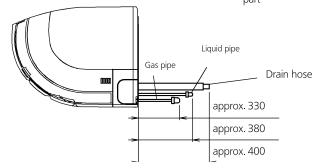
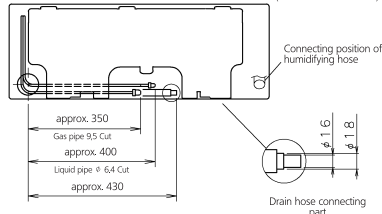
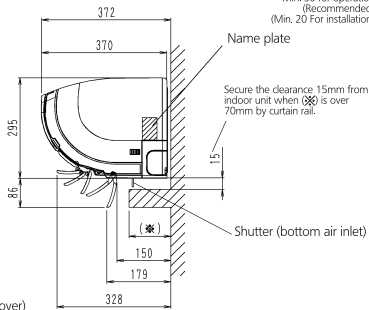
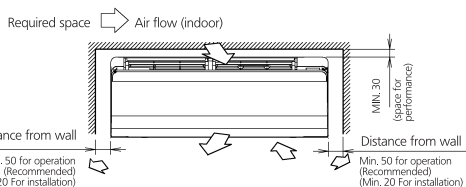
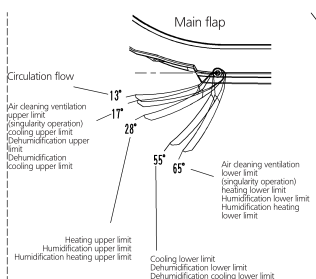
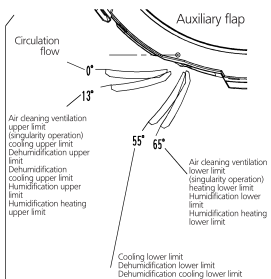
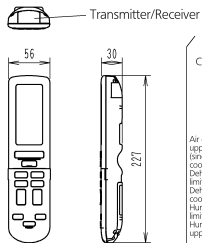


The mark (→) shows piping direction



Model name plate

Blade angle



Standard locations of wall holes