

# ZENDURE

SuperCharged<sup>66</sup>

## SuperBase 1000M User Manual



✉ [support@zendure.com](mailto:support@zendure.com)

English / Français / Deutsch / Nederlands/  
norwegian / Español / Italiano / УкраїнськаName

Zendure USA Inc.  
Phone: (800) 991-6148(US)  
Office Hours: Mon - Fri 9:00 - 17:00 PST  
Support / Contact: [www.zendure.com/support](http://www.zendure.com/support)  
Website: [www.zendure.com](http://www.zendure.com)

☑ and ☑ 2022 Zendure USA Inc. All Rights Reserved.  
Printed on Recycled materials. MADE IN CHINA

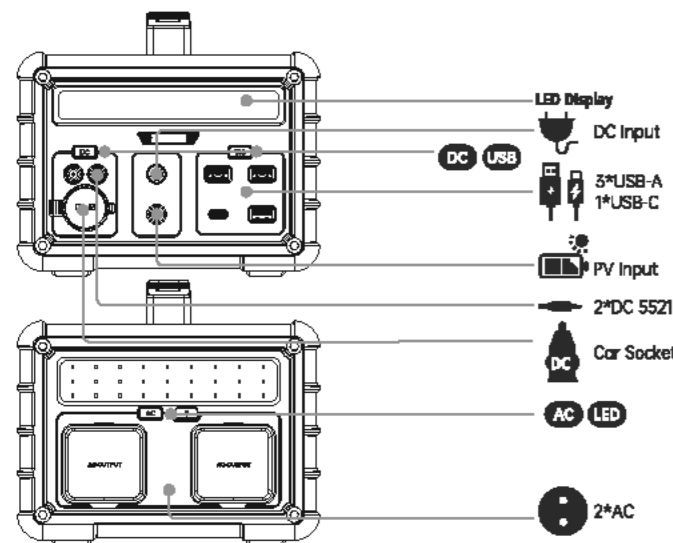


RoHS         

# ZENDURE

SuperCharged

## SuperBase 1000M



### Precautions for use

#### Daily use

- After the DC button has been pressed and held for about 1-2 seconds, the corresponding DC and CIG icons on the screen light up and the corresponding device can be charged. When the DC button is switched on, double click on the button and the corresponding Car-Start icon on the screen lights up to charge the car battery.
- Hold down the USB button for 1-2 seconds, and the USB-A and USB-C ICONS on the screen will light up to charge the device.
- When the AC button is pressed and held for about 1-2 seconds, the corresponding AC icon on the screen lights up and the corresponding device can be charged.
- LED illumination comes on after about 1-2 seconds of long press on the LED button, short press to switch between high light, SOS and flashing mode, in any mode, the LED button turns off after about 1-2 seconds of long press.
- To switch off the AC/DC/USB output, press and hold the corresponding button for 1-2 seconds and the corresponding icon on the screen goes out.
- Quick switch-off, press and hold any of the buttons to be switched off for 3-5 seconds until all functions are switched off at the same time.
- When the product runs out of power, please recharge it promptly.
- After use, please switch off the unit in time. (There is a self-loss of about 10-20V when the AC output is on.)

(It will continue to drain the battery leading to wasted power)

#### Shipping

The product should be protected from rain and water during transportation and should not be subject to severe vibration.

#### Storage

Do not place the product in a hot environment (over 45°C) or near an ignition source. If stored for more than 6 months, to prolong the life of the battery, please charge and discharge the product 1-2 times.

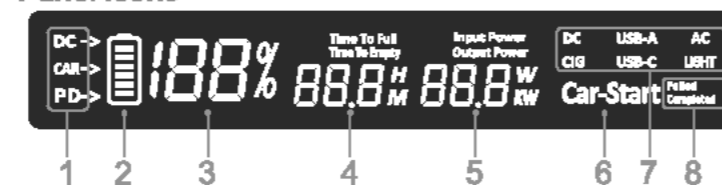
#### Daily Maintenance

In the case of long-term storage (more than 3 months), storage of not less than 50% of the electricity should be maintained.

Please use this product within the temperature range of 0-45°C. Use outside this range will shorten the life of the product.

English

### Panel Icons



	Name	Function
1	Charging instructions	DC for charging with adapter or PV, CAR for car charger port charging, PD for USB-C charging.
2	Power Icon	Battery level according to 6 cells, charging runner indicates charge level
3	Power Indicator	Displays the charge level of the battery as a percentage.
4	Time Remaining Indicator	Indicates the estimated time to completely charge the battery (Time To Full) or completely drain it (Time To Empty), in either hours (H) or minutes (M).
5	Total power Indication & display switching AC frequency	"Input Power" Indicates charging power and "Output Power" Indicates discharging power. The lower number W or KW indicates the current power value, if you want to switch the AC frequency, hit the AC button 3 times in succession, the screen will display "F50", representing "50Hz"; "F60", representing "60Hz".
6	Car Recharge Mode	"Car-Start", which indicates that the car battery is being charged, is suitable for topping up the car battery and for emergency starting of the car.
7	Interface status Indication	DC, CIG, USB-A, USB-C, AC, LIGHT are displayed to indicate that the corresponding function is switched on.
8	Car start status Indication	The three display combinations Car-Start /Car-Start Failed /Car-Start Completed on the far right side indicate that car start charging is in progress, start charging has failed, and start charging is complete.

### Common Problems

- Is the product safe without fan cooling?  
The product uses high-frequency resonance technology to reduce heat generation by 50%, and with the aluminium alloy casing for heat dissipation, no fan is required, making it quieter and more secure.
- How long can I store the product?  
Half of the charge can be stored for 6-12 months, it is recommended to charge and activate it every three months.
- How long does it take to fully charge the product?  
Up to 4 hours for simultaneous charging with mains/photovoltaic panel, car charger and Typo-C.  
When charging with mains electricity, it takes approximately 10 hours to fully charge.  
When charging with the car charger, it takes approximately 10 hours to charge up.  
When charging with Type-C, it takes approximately 12 hours to fully charge.  
When charging with PV panels, 150W solar PV panels are fully charged in approximately 10 hours at an equivalent light intensity of 750W/m.  
The above data are laboratory test data and are for reference only.
- Can I charge the product with both solar power and a car charger at the same time?  
Can be charged at the same time and the charging time will be cut in half
- Can the product be charged and discharged at the same time (output use)?  
This product supports charging and discharging at the same time and can be used sexually at the same time. When the output power is greater than the charging power, the battery power slowly decreases and will turn off the output when it is reduced to a low battery state.
- Is the product temperature protected?  
Charging 45 degrees protection, discharging 60 degrees protection
- Does the product switch off automatically?  
The product will automatically switch off after deep discharge, but under normal circumstances, it will not automatically switch off after being switched on in order to continue discharging
- How large a displacement car can Product Car Start start?  
The starting principle of the product is to charge the car battery, 12V system can be used, the displacement is not limited
- What does it mean when SUS is displayed on the screen?  
The screen display SUS indicates that the charging temperature is too high or too low and the product cannot be charged in this case.

### Packing list



### Product parameters

	ZDSB1000M
	Capacity 1016.16Wh (14.6V/69.6Ah)
	Dimensions 359mm x 190mm x 138mm
	Weight 8.55kg
	Discharge Temperature -20°C~40°C
	Charge Temperature 0°C~40°C
<b>Input</b>	
	DC/5521 18-24V, 120W Max
	PV 18-24V, 120W Max
	USB-C1 5V=2.4A, 9V/12V/15V/20V=3A, 20V=5A, 100W Max
	Car Socket 12.6V=10A, 126W Max
<b>Output</b>	
	DC/DC4 230V~50/60Hz, Rated 1000W, Peak 1500W
	DC/DC4 12V=6A, each port 72W Max, total 120W
	USB-C1 5V=2.4A, 9V/12V/15V/20V=3A, 20V=5A, 100W Max
	USB-A1/A2/A3 5V=2.4A, 12W Max
	Car Socket 12V=10A, 120W Max

### Warnings and Precautions

- Do not plug your hands or hand-held metal conductors into the AC outlet.
- Please do not disassemble the product yourself to avoid unknown dangerous things happening.
- Please read the specific product user manual before use.
- Do not disassemble or modify the product, insert foreign objects or immerse it in water or other liquids as this may cause leakage, overheating, fire or explosion.
- It is strictly forbidden to use products with obvious damage, as well as damaged wires and plugs connected to the product, with the risk of electric shock.
- Please use the original adapter for charging to avoid fire, explosion or other hazards.
- Please select the solar panel according to the electrical parameters specified by the manufacturer, voltage above the parameter range may damage the product.
- If the product emits abnormalities such as odor or heat during charging or storage, please stop charging immediately and place it in an open area for observation from a distance to confirm safety and then contact the manufacturer or distributor.
- This product is a power supply, please select the corresponding model according to the power-using equipment, it is forbidden to use this product with excessive power or load.
- It is forbidden to short the positive and negative terminals of each output port of the product.
- This product is factory set according to different national voltage standards, so please consult your dealer or use it in accordance with the product user manual before purchasing and using it.
- Product components are environmentally recyclable, please dispose of them according to local regulations.
- Not to be used at altitudes exceeding 2000m.
- This product and its accessories may contain small parts. Please keep the product and its accessories out of the reach of children. Children may inadvertently damage the product and its accessories, or swallow small parts that may cause choking or other hazards. Children or people with limited mental capacity should be accompanied by a guardian when using this product.

- This product is equipped with a non-removable internal battery, please do not replace the battery yourself as this may damage the battery or the product and may cause fire and explosion or other hazards.
- Please keep the product dry. Do not use the product in dusty, damp or dirty areas as this may cause the product's internal circuitry to malfunction.
- Do not use this product in thunderstorms. Lightning storms may cause product failure or electric shock hazard.
- Do not drop, crush or puncture the product. Avoid subjecting the product to large external pressures that could lead to short circuits and overheating inside the product.
- It is forbidden to use the product in a strong static or magnetic environment, which may lead to the failure of some of the product's protective functions and thus cause the product to malfunction.
- It is forbidden to store or transport the product together with keys, metal jewellery or other metal objects.
- Do not throw the product into a fire as this may cause it to catch fire and explode.

### Major Troubleshooting

Failure phenomena	Solutions
No response when the product is switched on, no output from DC, USB or AC	Remove all power-using devices, then charge for 5-10 minutes and turn the unit back on. Please ensure that the product is currently at a normal temperature for domestic use
The product is switched on but the corresponding output connector is not output (DC, USB, AC)	Check if the product is low on power, if so please recharge it promptly. Check that the electrical equipment is not higher than the output power of the product causing protection, remove the load and switch on again. Check that the output of this product meets the power requirements of the electrical equipment used. Check for a short circuit between the output port and the powered device, remove the device and switch it on again. Use the device on another power supply to see if it works properly, which may be caused by individual devices not being compatible.
Unexpected shutdown of the product during use	The internal protection system activates causing the product to shut down. Events that may cause the protection system to activate are overcharge, overdischarge, high temperature, low temperature, overcurrent, short circuit. To solve the problem quickly, disconnect all electrical equipment, leave the product at a normal temperature and charge it for 5-10 minutes. Also check for faults in the electrical equipment. Then switch on again.
Product cannot be charged	Please check that the charging electrical parameters are within the charging range of this product. Check whether the current device has activated the temperature protection because the temperature is too high or too low.
Irregular numbers appear on the display	 When the DC(USB/AC)LED button is pressed three times in succession to appear, the screen will display the version number of the current software program and will automatically resume after 3 seconds, without affecting normal use

### Warranty

During the warranty period, the dealer will provide free repair and replacement parts for defects in material and workmanship and for damage not caused by man.

The Seller will not be liable for any special, incidental or consequential loss, or any loss or damage arising from the inability to use the Products, whether alone or in conjunction with any other equipment or materials or for any other reason

The following are not covered by the warranty

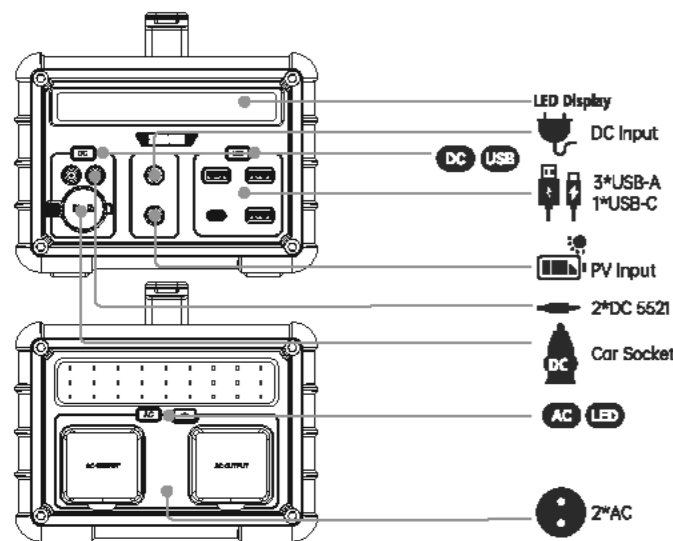
- Open the product privately.
- Deformation damage caused by obvious external forces.
- The user does not follow the Instructions.
- Failure or damage caused by force majeure (lightning strike, flooding, etc.), man-made (operation error, charging by non-original charger, etc.), environmental factors (high temperature, humidity, etc.).
- Product packaging boxes and product accessories are not covered by the warranty.

# ZENDURE

SuperCharged<sup>®</sup>

norwegian

## SuperBase 1000M



### Forholdsregler for bruk

- Daglig bruk
- Etter at DC-knappen har blitt trykket og holdt i omtrent 1-2 sekunder, lyser de tilsvarende D C- og CIG-ikonene på skjermen, og den tilsvarende enheten kan lades. Når DC-knappen er slått på, dobbeltklikker du på knappen og det tilsvarende Bilstart-ikonet på skjermen lyser for å lade bilbatteriet.
  - Etter at USB-knappen er trykket og holdt i omtrent 1-2 sekunder, vil de tilsvarende USB-A- og USB-C-ikonene på skjermen lyse for fasen. Enheten skal lades.
  - Når AC-knappen trykkes og holdes inne i omtrent 1-2 sekunder, lyser det tilsvarende AC-ikonet på skjermen og den tilsvarende enheten kan lades.
  - LED-belysning tennes etter omtrent 1-2 sekunder med langt trykk på LED-knappen, kort trykk for å bytte mellom høyt lys, SOS og blinkende modus, i hvilken som helst modus slås LED-knappen av etter omtrent 1-2 sekunder med langt trykk.
  - For å slå av AC / DC / USB-utgangen, trykk og hold inne den tilsvarende knappen i 1-2 sekunder, og det tilsvarende ikonet på skjermen går ut. Rask slukking, trykk og hold inne en av knappene som skal slås av i 3-5 sekunder til alle funksjonene er slått av samtidig.
  - Når produktet går tom for strøm, må du lade det opp umiddelbart.
  - Etter bruk, vennligst slå av enheten i tide. (Det er et selvstøp på omtrent 10-20V når vekselstrømutgangen er på. (Det vil fortsette å tømme batteriet som fører til bortkastet strøm)
  - Skipstort
- Produktet skal beskyttes mot regn og vann under transport og skal ikke utsettes for alvorlig vibrasjon.
- Lagring
- Ikke plasser produktet i et varmt miljø (over 45 °C) eller i nærheten av en tennkilde. Hvis det er lagret i mer enn 6 måneder, må du lade og lade ut produktet 1-2 ganger for å forlenge batteriets levetid.
- Daglig Vedlikehold
- Ved langtidslagring (mer enn 3 måneder) bør lagring av ikke mindre enn 50% av strømmen opprettholdes. Bruk dette produktet innenfor temperaturområdet 0-45 °C. Bruk utenfor dette området vil forkorte produktets levetid.

### Panel ikoner



	Navn	Funksjon
1	Instruksjoner for lading	DC for lading med adapter eller PV, BIL for laderportlading, PD for USB-C-lading
2	Strøm-ikon	Batterinivå i henhold til 6 celler, ladeløper indikerer ladeinivå
3	Strømindikator	Vaning av batterinivå i prosent, 0% -100% lading
4	Indikasjon for gjenværende tid	"Tid til full" betyr å fylle den gjenværende tiden, "Tid til tørring" betyr å tømme gjenværende tid og det tilsvarende lovete tallet +H eller M betyr antall timer og minutter som gjenstår.
5	Total effektindikasjon og displaybytts veksel frekvens	"Inngangseffekt" indikerer ladeeffekt og "Utgangseffekt" indikerer utladningseffekt. Det lovete tall: W eller KW indikerer gjeldende effektverdi, hvis du vil bytte vekselstrømsfrekvens, trykk på vekselstrømsknappen 3 ganger etter hverandre, skjermen vil vise "F50", som representerer "50Hz"; "F60", som representerer "60Hz".
6	Lademodus for bil	"Car-Start", som indikerer at bilbatteriet lades, er egnet for påfylling av bilbatteriet og for nedstart av bilen
7	Indikasjon for grensesnittstatus	DC, CIG, USB-A, USB-C, AC, LIGHT vises for å indikere at den tilsvarende funksjonen er slått på.
8	Indikasjon på bilstartstatus	De tre skjermkombinasjonene Bil-Start / Bilstart mislyktes / Bilstart Fullført helt til høyre indikerer at bilstartlading pågår, startlading har mislyktes og startlading er fullført.

### Vanlige problemer

- Er produktet trygt uten vifteløsing?  
Produktet bruker høyfrekvent resonansteknologi for å redusere varmeutviklingen med 50%, og med aluminiumslegeringshuset for varmespredning er det ikke nødvendig med en vifte, noe som gjør den stille og sikrere.
- Hvor lenge kan jeg lagre produktet?  
Halvparten av ladingen kan lagres i 6-12 måneder, det anbefales å lade og aktivere den hver tredje måned.
- Hvor lang tid tar det å lade produktet helt opp?  
I- Opp til 4 timer for samtidig lading med nett-fotocellepanel, billader og Typo-C  
I- Når du lader med strømmet, tar det omtrent 10 timer å lade helt opp.  
I- Når du lader med billaderen, tar det ca. 10 timer å lade opp.  
I- Når du lader med Type-C, tar det omtrent 12 timer å lade helt opp.  
I- Ved lading med solcellepaneler er 150W solcellepaneler fulladet på omtrent 10 timer med en tilsvarende lysintensitet på 750WV / m.
- Ovennevnte data er laboratorietestdata og er kun til referanse.
- Kan jeg lade produktet med både solenergi og billader samtidig?  
Kan lades samtidig og ladetiden blir halvert
- Kan produktet lades og utlades samtidig (utgangsbruk)?  
Dette produktet støtter lading og utlading samtidig og kan brukes seksuelt samtidig. Når utgangseffekten er større enn ladeeffekten, reduseres batteristruømmen salte og slår av utgangen når den reduseres til lav batteristandard.
- Er produktet temperaturbeskyttet?  
Lader 45 graders beskyttelse, utlader 60 graders beskyttelse
- Såes produktet av automatisk?  
Produktet slås automatisk av etter dyp utlading, men under normale omstendigheter slås det ikke automatisk av etter at det er slått på for å fortsette å lade ut.
- Hvor stor forskyvningsbåll kan produktbilstart starte?  
Startprinsippet for produktet er å lade bilbatteriet, 12V-systemet kan brukes, forskyvningen er ikke begrenset
- Hva betyr det når SUS vises på skjermen?  
Skjermdisplayet SUS indikerer at ladetemperaturen er for høy eller for lav, og produktet kan ikke lades i dette tilfellet.

### Pakkeliste



### Produkt parametere

	ZDSB1000M
	Batterikapazität 1016.16Wh (14.6V/69.6Ah)
	Dimensjoner 359mm x 190mm x 138mm
	Vekt 8.55kg
	Utladningstemperatur -20°C~40°C
	Lade temperatur 0°C~40°C
<b>Innspill</b>	
	DC5521 18-24V, 120W Max
	PV 18-24V, 120W Max
	USB-C1 5V ~ 2.4A, 9V/12V/15V/20V ~ 3A, 20V ~ 5A, 100W Max
	Bluetooth 12.6V ~ 10A, 126W Max
<b>Ytelse</b>	
	230V~50/60Hz, Rated 1000W, Peak1500W
	DC5521 12V ~ 6A, each port 72W Max, total 120W
	USB-C1 5V ~ 2.4A, 9V/12V/15V/20V ~ 3A, 20V ~ 5A, 100W Max
	USB-A1/A2/A3 5V ~ 2.4A, 12W Max
	Bluetooth 12V ~ 10A, 120W Max

### Advarsler og forsiktighetsregler

- Do ikke koble hendene eller håndholds metallledere til stikkontakten.
- Ikke demonter produktet selv for å unngå utslipp av farlige ting eller skader.
- Les brukerveiledningen for det spesifikke produktet før bruk.
- Do ikke demontere eller modifisere produktet, sette inn fremmedlegemer eller senke det i vann eller andre væsker, da dette kan føre til lekkasje, overoppheting, brann eller eksplosjon.
- Det er strengt forbudt å bruke produkter med åpenbar skade, samt skadede ledninger og plugger koblet til produktet, med risiko for elektrisk støt.
- Bruk den originale adapteren til lading for å unngå brann, eksplosjon eller andre farer.
- Velg solcellepanelet i henhold til de elektriske parametrene som er spesifisert av produsenten, spenninger over parameterområdet kan skade produktet.
- Hvis produktet avgir unormalt støy som lukt eller varme under lading eller lagring, må du stoppe ladingen umiddelbart og plassere den i et åpent område for observasjon på avstand for å bekrefte sikkerheten og deretter kontakte produsenten eller distributøren.
- Dette produktet er en strømforsyning, velg den tilsvarende modellen i henhold til strømutstyret, det er forbudt å bruke dette produktet med overdreven kraft eller belastning.
- It er forbudt å kortslutte de positive og negative terminalene til hver utgangsport på produktet.
- Dette produktet er fabrikkinnstilt i henhold til forskjellige nasjonale spenningsstandarder, så ta kontakt med forhandleren eller bruk det i samsvar med produktets brukerveiledning for du kjøper og bruker det.
- Produktkomponenter er resirkulerbare, vennligst kast dem i henhold til lokale forskrifter.
- Skal ikke brukes i høyder over 2000m.

- Dette produktet og dets tilbehør kan inneholde små deler. Oppbevar produktet og tilbehøret utgjengeligg for barn. Barn kan utlært skade produktet og dets tilbehør, eller sveile små deler som kan forårsake kvelling eller andre farer. Barn eller personer med begrenset mental kapasitet bør ledsages av en veger når du bruker dette produktet.
- Dette produktet er utstyrt med et ikke-flytbart internt batteri, vennligst ikke bytt ut batteriet selv, da dette kan skade batteriet eller produktet og kan forårsake brann og eksplosjon eller andre farer.
- Hold produktet tørt. Ikke bruk produktet i støvete, fuktige eller dltne områder, da dette kan føre til at produktets interne kretser ikke fungerer som de skal.
- Do ikke bruke dette produktet i tordenvær. Tordenvær kan forårsake produktfeil eller fare for elektrisk støt.
- Ikke slipp, laus eller punder produktet. Unngå å utsette produktet for store ytre trykk som kan føre til korslutning og overoppheting inne i produktet.
- Hvis produktet ved et uhell faller i vann under bruk, plasser det på et trygt åpent område og ikke bruk det igjen.
- It er forbudt å bruke produktet i et sterkt statisk eller magnetisk miljø, noe som kan føre til svikt i noen av produktets beskyttende funksjoner og dermed føre til at produktet ikke fungerer som det skal.
- It er forbudt å oppbevare eller transportere produktet sammen med nalsler, metallstykker eller andre metallgjenstander.
- Ikke kast produktet i brann, da dette kan føre til at det tar fyr og eksploderer.

### Større feilsøking

Feilfenomener	Løsninger
Ingen respons når produktet er slått på, ingen utgang fra DC, USB eller AC	Fjern alle strømforbrukende enheter, lad deretter i 5-10 minutter og slå på enheten igjen. Forsikre deg om at produktet for øyeblikket har en normal temperatur for husholdningsbruk
Produktet er slått på, men den tilsvarende utgangskontakten er ikke utgang (DC, USB, AC)	Sjekk om produktet har lita strøm, i så fall må du lade det opp omgående. Kontroller at det elektriske utstyret ikke er høyere enn utgangseffekten til produktet som forårsaker beskyttelse, fjern belastningen og slå på igjen. Kontroller at effekten av dette produktet oppfyller strømkapasiteten til det elektriske utstyret som brukes. Se etter kortslutning mellom utgangsporten og den drevne enheten, fjern enheten og slå den på igjen. Bruk enheten på en annen strømforsyning for å se om den fungerer som den skal, noe som kan skyldes at enkelte enheter ikke er kompatible.
Uventet avslutning av produktet under bruk	Det interne beskyttelsessystemet aktiverer slik at produktet slår seg av. Hendelser som kan føre til at beskyttelsessystemet aktiveres er overlading, overlading, høy temperatur, lav temperatur, overstrøm, kortslutning. For å løse problemet raskt, koble fra all elektrisk utstyr, la produktet stå ved normal temperatur og lad det i 5-10 minutter. Sjekk også for fall i det elektriske utstyret. Slå deretter på igjen.
Produktet kan ikke belastes	Kontroller at de elektriske ladeparametrene er innenfor ladeområdet for dette produktet. Kontroller om den tilsvarende enheten har aktivert temperaturbeskyttelsen fordi temperaturen er for høy eller for lav.
Uregelmessige tall vises på displayet	<b>7   333 2   0</b> Når DC/USB/AC/LED-knappen trykkes tre ganger etter hverandre for å vises, vil skjermen vise versjonsnummeret til det gjeldende programmet og gjenopptas automatisk etter 3 sekunder, uten at det påvirker normal bruk.

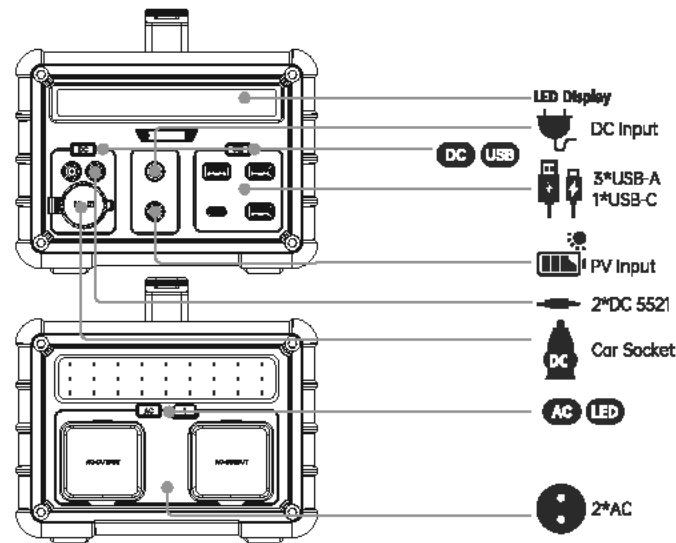
### Garanti

- I løpet av garantiperioden vil forhandleren tilby gratis reparasjons- og reservedeler for defekter i materiale og utførelse og for skader som ikke er forårsaket av mennesker.
- Selgeren vil ikke være ansvarlig for spesielle, tilfældige eller følgeskader, eller tap eller skade som følge av manglende evne til å bruke produktene, enten alene eller sammen med annet utstyr eller materiale eller av andre grunner.
- Følgende dekkes ikke av garantien
- Åpne produktet privat.
  - Deformasjonskadede forårsaket av åpenbare ytre krefter.
  - Brukeren følger ikke instruksjonene.
  - Feil eller skade forårsaket av force majeure (jordskjelv, flom, etc.), menneskeskapt (driftfeil, lading med ikke-original lader, etc.), miljøfaktorer (høy temperatur, fuktighet, etc.).
  - Produktemballasjebeholdere og produkttilbehør dekkes ikke av garantien.

# ZENDURE

SuperCharged<sup>®</sup>

## SuperBase 1000M



### Précautions d'emploi

#### Utilisation quotidienne

- Après avoir appuyé sur le bouton DC pendant environ 1 à 2 secondes, les icônes DC et CIG correspondantes à l'écran s'allument pour charger l'appareil correspondant. Lorsque le bouton DC est activé, double-cliquez sur le bouton et l'icône Car-Start correspondante à l'écran s'allume pour charger la batterie de la voiture.
- Après avoir appuyé sur le bouton USB pendant environ 1 à 2 secondes, les icônes USB-A et USB-C correspondantes à l'écran s'allument pour correspondre à la phase. L'appareil doit être chargé.
- Après avoir appuyé sur le bouton AC pendant environ 1-2 secondes, l'icône AC correspondante sur l'écran s'allume pour charger l'appareil correspondant.
- Après avoir appuyé sur le bouton LED pendant environ 1-2 secondes, la lumière LED est allumée, la pression courte bascule la surbrillance, SOS, mode flash, n'importe quel mode, le bouton LED est éteint après environ 1-2 secondes.
- Éteignez la sortie AC / DC / USB, vous pouvez appuyer et maintenir le bouton correspondant pendant 1-2 secondes, et l'icône correspondante à l'écran s'éteint.
- Arrêt rapide, vous pouvez appuyer et maintenir l'une des touches à éteindre pendant 3-5 secondes jusqu'à ce que toutes les fonctions soient désactivées en même temps.
- Lorsque le produit est épuisé, veuillez le charger à temps.
- Après utilisation, veuillez éteindre le système à temps. Il y a une auto-arrêt d'environ 10-20V dans la sortie AC à l'état.

Continuera à vider l'énergie de la batterie, ce qui entraînera un gaspillage d'énergie)  
transport  
Le produit doit être imperméable à la pluie et inondé pendant le transport, et il ne doit pas y avoir de vibrations violentes.

**stocker**  
Ne placez pas le produit dans un environnement à haute température (au-dessus de 45°C) ou près de la source de l'incendie.  
Si le stockage dépasse 6 mois, afin de prolonger la durée de vie de la batterie, veuillez charger et décharger le produit 1 à 2 fois.

**Entretien quotidien**  
Dans le cas d'un stockage à long terme (plus de 3 mois), il doit être maintenu au moins 50% du stockage d'électricité.  
Utilisez ce produit dans une plage de température de 0 à 45°C, car une utilisation en dehors de cette plage raccourcira la durée de vie du produit.

Français

### icône de panneau



	nom	fonction
1	Instructions de chargement	DC signifie utiliser la charge de l'adaptateur ou la charge photovoltaïque, CAR signifie la charge du port de charge de la voiture et signifie la charge USB-C
2	icône de batterie	Suivez les 6 cellules pour afficher le niveau de la batterie et chargez le cheval pour indiquer la puissance
3	Indication de la batterie	Affiche le niveau de la batterie en pourcentage, la charge est de 0% à 100%
4	Temps restant indiqué	« TimeTo Full » indique le temps restant, « TimeToEmpty » indique le temps restant, et le nombre correspondant « H » ou « M » ci-dessous indique combien d'heures et de minutes il reste.
5	Indicateur de puissance totale et affichage de commutation de fréquence AC	« Input Power » indique la puissance de charge et « Output Power » indique la puissance de décharge. Le nombre W ou KW ci-dessous indique la valeur de puissance actuelle, si vous devez basculer la fréquence AC, 3 pressions consécutives sur le bouton AC, l'écran affiche « F50 », représentant « 50Hz »; « F60 », représentant « 60Hz ».
6	Mode de mise sous tension de la voiture	« Car-Start », indique que la batterie de la voiture est en cours de charge, adaptée à la recharge de la batterie de la voiture, pour le démarrage d'urgence de la voiture.
7	Indication de l'état de l'interface	Affiche DC, CIG, USB-A, USB-C, AC, LIGHT, indiquant que la fonction correspondante est activée.
8	Indication de l'état de démarrage de la voiture	Les trois combinaisons d'affichage à l'extrême droite - Start /Car-Start Failed /Car-Start Completed représentent la charge de démarrage de la voiture en cours, le démarrage de la charge échoué et le démarrage de la charge terminée.

### foire aux questions

- Le produit est-il sans ventilateur pour la dissipation de la chaleur, est-il sûr?  
Le produit utilise la technologie de résonance à haute fréquence, la génération de chaleur est réduite de 50%, avec la dissipation thermique de la coque en alliage d'aluminium, pas besoin de ventilateurs, plus silencieux, plus d'air.
- Combien de temps le produit peut-il être conservé?  
La moitié de la charge peut être stockée pendant 6 à 12 mois, et il est recommandé d'activer la charge tous les trois mois.
- Combien de temps faut-il pour que le produit soit complètement chargé?  
Lors de l'utilisation de panneaux secteur / photovoltaïques, charge de voiture, charge type-C en même temps, les 4 heures complètes les plus rapides
  - Lors de la charge avec l'alimentation secteur, il faut environ 10 heures pour charger complètement.
  - Lors de la charge avec la charge de la voiture, il faut environ 10 heures pour combler la soif.
  - Lors de la charge avec Type-C, il faut environ 12 heures pour charger complètement.
  - Lors de la charge avec des panneaux photovoltaïques, les panneaux solaires photovoltaïques de 150 W sont amincis pendant environ 10 heures à une intensité lumineuse équivalente de 750 W / m.
- Les données ci-dessus sont des données d'essai de laboratoire et sont fournies à titre de référence seulement.
- Puis-je charger le produit avec de l'énergie solaire et charger la voiture en même temps?  
Vous pouvez charger ensemble en même temps, et le temps de charge sera réduit de moitié
- Le produit peut-il être déchargé (sortie utilisée) pendant la charge?  
Ce produit prend en charge la décharge pendant la charge et peut être utilisé simultanément. Lorsque la puissance de sortie est supérieure à la puissance de charge, la puissance de la batterie est lentement réduite et lorsqu'elle est réduite à un état de batterie faible, la sortie est coupée.
- La température du produit est-elle protégée?  
Protection de charge à 45 degrés, protection à décharge à 60 degrés
- Le produit s'arrêtera-t-il automatiquement?  
Une fois que le produit est profondément déchargé, il s'arrêtera automatiquement, mais dans des circonstances normales, après ouverture, afin de se décharger en continu, il ne s'arrêtera pas automatiquement
- Combien de déplacement de la voiture de produit peut démarrer au démarrage?  
Le principe de démarrage du produit est de charger la batterie de la voiture, le système 12V peut être utilisé, le déplacement n'est pas limité
- Que signifie l'écran lorsqu'il affiche SUS?  
L'écran d'affichage SUS indique que la température de charge est trop élevée ou trop basse, et le produit ne peut pas être chargé pour le moment.

### Liste de colisage



### Paramètres du produit

	ZDSB1000M
	Capacity 1016.16Wh (14.6V/69.6Ah)
	Dimensions 359mm x 190mm x 138mm
	Weight 8.55kg
	Discharge Temperature -20°C~40°C
	Charge Temperature 0°C~40°C
<b>Input</b>	
	DC5521 18-24V, 120W Max
	PV 18-24V, 120W Max
	USB-C1 5V==2.4A, 9V/12V/15V/20V ==3A, 20V ==5A, 100W Max
	Car Socket 12.6V ==10A, 126W Max
<b>Output</b>	
	AC/DC4 230V~50/60Hz, Rated 1000W, Peak1500W
	DC/DC4 12V==6A, each port 72W Max, total 120W
	USB-C1 5V==2.4A, 9V/12V/15V/20V ==3A, 20V ==5A, 100W Max
	USB-A1/A2/A3 5V==2.4A, 12W Max
	Car Socket 12V ==10A, 120W Max

### Mises en garde et précautions

- Transmission CA du produit, veuillez ne pas insérer votre conducteur métallique manuel ou portable dans la prise CA.
- N'ouvrez pas le produit sans autorisation pour éviter de causer des dangers inconnus.
- Veuillez lire le manuel d'utilisation du produit spécifique avant utilisation.
- Ne pas démonter ou modifier le produit, insérer des corps étrangers ou l'immerger dans de l'eau ou d'autres liquides pour éviter les fuites, la surchauffe, le feu ou l'explosion du produit.
- Il est strictement interdit d'utiliser des produits présentant des dommages évidents, ainsi que l'utilisation de fils et de fiches endommagés pour accéder aux produits, ce qui risque de provoquer un choc électrique.
- Chargez avec l'adaptateur d'origine pour éviter tout incendie, explosion ou autres dangers.
- Veuillez sélectionner le panneau solaire en fonction des paramètres électriques spécifiés par le fabricant, la tension au-dessus de la plage de paramètres peut endommager le produit.
- Si le produit émet des odeurs, de la fièvre et d'autres conditions anormales pendant la charge ou le stockage, veuillez arrêter immédiatement le chargement et le placer dans un endroit ouvert pour une observation à longue distance, confirmer la sécurité et contacter le fabricant ou le revendeur.
- Ce produit est une alimentation, veuillez sélectionner le modèle correspondant en fonction de l'équipement électrique, interdite la suralimentation, l'utilisation en surcharge de ce produit.
- Il est interdit de court-circuiter les pôles positifs et négatifs de chaque port de sortie du produit.
- Ce produit, selon différentes normes nationales de tension pour les réglages d'usine, avant d'acheter et d'utiliser, veuillez consulter le revendeur ou contacter le manuel d'utilisation du produit à utiliser.
- Les pièces du produit sont respectueuses de l'environnement et recyclables, veuillez les recycler conformément aux réglementations locales.
- Ne pas utiliser à des altitudes supérieures à 2000m.

- Ce produit et ses accessoires peuvent contenir de petites pièces, veuillez garder le produit et ses accessoires hors de la portée des enfants. Les enfants peuvent endommager par inadvertance ce produit et ses accessoires, ou voler de petites pièces qui peuvent causer des étouffements ou d'autres dangers. Les enfants ou les personnes ayant des capacités mentales limitées devraient utiliser ce produit avec un tuteur.
- Ce produit est équipé d'une batterie intégrée non amovible, ne remplacez pas la batterie vous-même, afin de ne pas endommager la batterie ou le produit, ce qui pourrait provoquer une explosion d'incendie ou d'autres dangers.
- Gardez le produit au sec. N'utilisez pas le produit dans des endroits gris, humides et sales pour éviter de provoquer des défaillances du circuit interne.
- N'utilisez pas ce produit dans les orages. Les orages peuvent provoquer une défaillance du produit ou un risque de choc électrique.
- Ne pas laisser tomber, presser ou perforez le produit. Évitez d'exposer le produit à de fortes contraintes externes pouvant entraîner des courts-circuits et une surchauffe à l'intérieur du produit.
- Si le produit tombe accidentellement dans l'eau pendant l'utilisation, il sera placé dans un endroit ouvert sûr et ne doit pas être réutilisé.
- Il est interdit d'utiliser le produit dans un environnement de fort champ statique ou magnétique, ce qui peut entraîner l'échec de certaines fonctions de protection du produit, entraînant une défaillance du produit.
- Il est interdit de stocker ou de transporter des produits avec des clés, des bijoux en métal ou d'autres objets en métal.
- Ne jetez pas le produit dans le feu, car cela provoquerait l'incendie et l'explosion du produit.

### Dépannage principal

Symptôme	Solution de contournement
Le produit n'est pas réactif au démarrage et il n'y a pas de sortie DE COURANT CONTINU, USB et CA	-Retirez tous les appareils électriques, chargez-les pendant 5 à 10 minutes et rallumez le système. -Veuillez vous assurer que le produit est actuellement dans la plage de température normale d'utilisation domestique
Le produit peut être mis sous tension, mais l'interface correspondant à la sortie n'a pas de sortie (DC, USB, AC)	-Vérifiez si la puissance du produit est trop faible, et c'est le cas, veuillez le charger à temps. -Vérifiez si le périphérique alimenté est supérieur à la puissance de sortie de ce produit a provoqué une protection, retirez la charge et réinitialisez le système. -Vérifiez que la sortie de ce produit répond aux exigences d'alimentation du périphérique d'alimentation. -Vérifiez que le port de sortie ne comporte pas de court-circuit entre l'appareil alimenté, retirez l'appareil et rallumez-le. Utilisez l'appareil sur d'autres sources d'alimentation pour voir s'il est utilisé normalement, ce qui peut être causé par l'incompatibilité d'appareils individuels.
Arrêt inattendu pendant l'utilisation du produit	Le démarrage du système de protection interne entraîne l'arrêt du produit, ce qui peut entraîner le démarrage du système de protection en cas de surcharge, de surchauffe, de haute température, de basse température, de surintensité de court-circuit. Pour résoudre le problème rapidement, arrêtez tout l'équipement électrique, laissez la température du produit se stabiliser dans la plage de température normale et rechargez le produit pendant 5 à 10 minutes. Dans le même temps, vérifiez si l'équipement électrique est défectueux. Ensuite, rallumez le système.
Le produit ne peut pas être facturé	Veuillez confirmer si les paramètres électriques de charge se situent dans la plage de charge de ce produit. Vérifiez si l'appareil actuel a déclenché la protection de la température car la température est trop élevée ou trop basse. Veuillez confirmer si les paramètres électriques de charge se situent dans la plage de charge de ce produit. Vérifiez si l'appareil actuel a déclenché la protection de la température car la température est trop élevée ou trop basse.
Unregelmäßige Zahlen erscheinen auf der Anzeige	Nachdem Sie drei aufeinanderfolgende Zeiten auf die Taste DC/USB/AC/LED gedrückt haben, wird die aktuelle Versionsnummer des Softwareprogramms auf dem Bildschirm angezeigt. Es wird nach 3 Sekunden automatisch wiederhergestellt, was den normalen Gebrauch nicht beeinflusst.

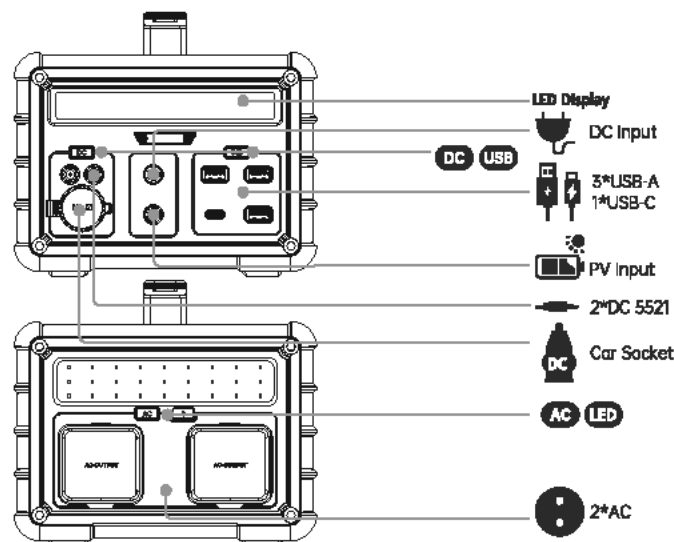
### Garantie

Pendant la période de garantie, les défauts de matériaux et de fabrication du produit et les dommages causés par des raisons non humaines, le concessionnaire fournira gratuitement des pièces de réparation et de remplacement.  
Le Vendeur ne sera pas responsable de toute perte spéciale, accessoire ou consécutive, ou de toute perte ou dommage découlant de l'impossibilité d'utiliser les Produits, que ce soit seul ou en conjonction avec tout autre équipement ou matériel ou pour toute autre raison.  
Les conditions suivantes ne sont pas couvertes par la garantie  
1. Ouvrez le produit sans autorisation.  
2. Dommages évidents causés par la déformation causée par des forces extérieures.  
3. L'utilisateur ne l'a pas utilisé conformément aux exigences du manuel d'instructions.  
4. Défaillance ou dommages causés par un cas de force majeure (feu, inondation, etc.), d'origine humaine (erreur de fonctionnement, charge du chargeur non d'origine, etc.), des facteurs environnementaux (température élevée, humidité, etc.).  
5. La boîte d'emballage du produit et les accessoires du produit ne sont pas couverts par la garantie.

# ZENDURE

SuperCharged<sup>ES</sup>

## SuperBase 1000M



### Precauciones de uso

Uso diario

- Después de presionar el botón DC durante aproximadamente 1-2 segundos, los iconos D C y CIG correspondientes en la pantalla se iluminan para cargar el dispositivo correspondiente. Cuando el botón DC esté encendido, haga doble clic en el botón y se encenderá el icono de Car-Start correspondiente en la pantalla para cargar la batería del automóvil.
- Después de presionar el botón USB durante aproximadamente 1-2 segundos, los iconos USB-A y USB-C correspondientes en la pantalla se iluminan para que coincidan con la fase. El dispositivo debe estar cargado.
- Después de presionar el botón de CA durante aproximadamente 1-2 segundos, el icono de CA correspondiente en la pantalla se ilumina para cargar el dispositivo correspondiente.
- Después de presionar el botón LED durante aproximadamente 1-2 segundos, la luz LED se enciende, la pulsación corta alterna el resaltado, SOS, modo de flash, cualquier modo, el botón LED se apaga después de aproximadamente 1-2 segundos.
- Apague la salida AC/DC/USB, puede presionar y mantener presionado el botón correspondiente durante 1-2 segundos y el icono correspondiente en la pantalla se apaga.
- Apagado rápido, puede mantener presionada cualquiera de las teclas que se apagarán durante 3-5 segundos hasta que todas las funciones se apaguen al mismo tiempo.
- Cuando el producto se agote, carguelo a tiempo.
- Después de su uso, apague el sistema a tiempo. (Hay una autoprotección de aproximadamente 10-20W en la salida de CA en el estado, continuará agotando la energía de la batería, lo que resultará en un desperdicio de energía) transporte. El producto debe ser a prueba de lluvia e inundado durante el transporte, y no debe haber vibraciones violentas.

Reserva

No coloque el producto en un ambiente de alta temperatura (por encima de 45°C) o cerca de la fuente del fuego.

Si el almacenamiento excede los 6 meses, para extender la vida útil de la batería, cargue y descargue el producto 1-2 veces.

Mantenimiento diario

En el caso de almacenamiento a largo plazo (más de 3 meses), debe mantenerse al menos el 50% del almacenamiento de electricidad.

Utilice este producto en un rango de temperatura de 0-45°C, ya que el uso fuera de este rango acortará la vida útil del producto.

Español

### Icono de panel



	nombre	función
1	Instrucciones de carga	DC significa usar carga de adaptador o carga fotovoltaica, CAR significa carga del puerto de carga del automóvil y PD significa carga USB-C
2	Icono de la batería	Siga los 6 celdas para mostrar el nivel de la batería y cargue el caballo para indicar la potencia
3	Indicación de la batería	Muestra el nivel de batería por porcentaje, la carga es de 0% -100%
4	Tiempo restante indicado	*Tiempo hasta el llenado indica el tiempo restante, *Tiempo para vaciar indica el tiempo restante, y el número correspondiente *H o M a continuación indica cuántas horas y minutos quedan.
5	Indicador de potencia total y frecuencia de conmutación de PANTALLA DE CA	*Input Power indica potencia de carga y *Output Power indica potencia de descarga. El número W o KW a continuación indica el valor de potencia actual, si necesita alternar la frecuencia de CA CA, 3 pulsaciones consecutivas del botón AC, la pantalla muestra *F50, que representa *50Hz, *F60, que representa *60Hz.
6	Modo de encendido del coche	*Car-Start, indica que la batería del automóvil se está cargando, adecuada para recargar la batería del automóvil, para el arranque de emergencia del automóvil.
7	Indicación del estado de la interfaz	Muestra DC, CIG, USB-A, USB-C, AC, LIGHT, lo que indica que la función correspondiente está activada.
8	Indicación del estado de arranque del coche	Las tres combinaciones de pantallas en el extremo derecho: Start / Car-Start Failed / Car-Start Completed representan la carga de inicio del automóvil en curso, el inicio de la carga fallida y el inicio de la carga completa.

### Preguntas frecuentes

- El producto no tiene ventilador para la disipación de calor, es seguro? El producto utiliza tecnología de resonancia de alta frecuencia, la generación de calor se reduce en un 50%, con la disipación de calor de la carcasa de aleación de aluminio, sin necesidad de ventiladores, más silencioso, más seguro.
- ¿Cuánto tiempo se puede almacenar el producto? La mitad de la carga se puede almacenar durante 6-12 meses, y se recomienda activar la carga cada tres meses.
- ¿Cuánto tiempo tarda el producto en cargarse por completo? -Cuando se utilizan paneles de red / fotovoltaicos, carga de automóviles, carga tipográfica C al mismo tiempo, las 4 horas completas más rápidas. -Cuando se carga con la red eléctrica, se tarda aproximadamente 10 horas en cargarse por completo. -Al cargar con la carga del automóvil, se tarda unas 10 horas en llenar la sed. -Cuando se carga con Type-C, se tarda aproximadamente 12 horas en cargarse por completo.
- ¿Cuando se carga con paneles fotovoltaicos, los paneles solares fotovoltaicos de 150W se adelgazan durante aproximadamente 10 horas a una intensidad de luz equivalente de 750W/m². Los datos anteriores son datos de pruebas de laboratorio y son solo para referencia.
- ¿Puedo cargar el producto con energía solar y carga de automóvil al mismo tiempo? Pueden cargar juntos al mismo tiempo, y el tiempo de carga se reducirá a la mitad.
- ¿Se puede descargar el producto (soldado utilizado) durante la carga? Este producto admite la descarga durante la carga y se puede utilizar simultáneamente. Cuando la potencia de salida es mayor que la potencia de carga, la energía de la batería se reduce lentamente, y cuando se reduce a un estado de batería baja, la salida se apaga.
- ¿Está protegido la temperatura del producto? Carga de protección de 45 grados, descarga de protección de 60 grados
- ¿El producto se apagará automáticamente? Después de que el producto se descargue profundamente, se apagará automáticamente, pero en circunstancias normales, después de abrirlo, para descargar continuamente, no se apagará automáticamente.
- ¿Cuánto desplazamiento del producto puede comenzar el automóvil? El principio de inicio del producto es cargar la batería del automóvil, se puede usar el sistema de 12V, el desplazamiento no está limitado
- ¿Qué significa la pantalla cuando muestra SUS? La pantalla de visualización SUS indica que la temperatura de carga es demasiado alta o demasiado baja, y el producto no se puede cargar en este momento.

### Lista de embalaje



### Parámetros del producto

	ZDSB1000M
	Capacidad de la batería 1016.16Wh (14.6V/69.6Ah)
	Dimensiones 359mm x 190mm x 138mm
	Peso 8.55kg
	Temperatura de descarga -20°C~40°C
	Temperatura de carga 0°C~40°C
<b>Entrada</b>	
	DC/EE21 18-24V, 120W Max
	18-24V, 120W Max
	5V= 2.4A, 9V/12V/15V/20V=3A, 20V=5A, 100W Max
	Toma de coche 12.6V= 10A, 126W Max
<b>Salida</b>	
	230V~50/60Hz, Rated 1000W, Peak1500W
	DC/DC4 12V=6A, each port 72W Max, total 120W
	USB-C1 5V= 2.4A, 9V/12V/15V/20V=3A, 20V=5A, 100W Max
	USB-A1/A2/A3 5V= 2.4A, 12W Max
	Toma de coche 12V= 10A, 120W Max

### Advertencias y precauciones

- Transmisión de CA del producto, no inserte su conductor de metal manual o de mano en la toma de CA.
- No abra el producto sin permiso para evitar causar peligros desconocidos.
- Lea el manual de usuario específico del producto antes de usarlo.
- No desmonte ni modifique el producto, inserte objetos extraños ni lo sumerja en agua u otros líquidos para evitar fugas, sobrecalentamiento, incendio o explosión del producto.
- Está estrictamente prohibido el uso de productos con daños evidentes, así como el uso de cables y enchufes dañados para acceder a los productos, lo que está en peligro de descarga eléctrica.
- Cargue con el adaptador original para evitar incendios, explosiones u otros peligros.
- Seleccione el panel solar de acuerdo con los parámetros eléctricos especificados por el fabricante, el voltaje por encima del rango de parámetros puede dañar el producto.
- Si el producto emite olor, fiebre y otras condiciones anormales durante la carga o el almacenamiento, deje de cargarlo inmediatamente y colóquelo en un lugar abierto para la observación a larga distancia, confirme la seguridad y comuníquese con el fabricante o distribuidor.
- Este producto es una fuente de alimentación, seleccione el modelo correspondiente de acuerdo con el equipo eléctrico, prohíba el uso excesivo de energía, sobrecargue este producto.
- Está prohibido conectar en corto los polos positivo y negativo de cada puerto de salida del producto.
- Este producto de acuerdo con los diferentes estándares nacionales de voltaje para la configuración de fábrica, antes de comprar y usar, consulte al distribuidor o controle el manual de usuario del producto para usar.
- Las piezas del producto son respetuosas con el medio ambiente y reciclables, por favor recicle de acuerdo con las regulaciones locales.
- No utilice a altitudes superiores a 2000m.
- Este producto y sus accesorios pueden contener algunas piezas pequeñas, por favor mantenga el producto y sus accesorios fuera del alcance de los niños. Los niños pueden dañar inadvertidamente este producto y sus accesorios, o tragar partes pequeñas que pueden causar asfixia u otros peligros. Los niños o las personas con capacidades mentales limitadas deben usar este producto con un tutor.

- Este producto está equipado con una batería incorporada no extraíble, no reemplace la batería usted mismo, para no dañar la batería o el producto, lo que puede causar una explosión de incendio u otros peligros.
- Mantenga el producto seco. No utilice el producto en lugares húmedos y sucios para evitar que se produzcan fallos en los circuitos internos.
- No use este producto en tormentas eléctricas. Las tormentas eléctricas pueden causar fallos en el producto o el riesgo de descarga eléctrica.
- No deje caer, raspar ni perforar el producto. Evite exponer el producto a grandes tensiones externas que pueden provocar cortocircuitos y sobrecalentamiento dentro del producto.
- Si el producto cae accidentalmente al agua durante el uso, se colocará en un área abierta segura y no debe volver a usarse.
- Está prohibido usar el producto en un entorno de campo estático o magnético fuerte, lo que puede causar que algunas de las funciones de protección del producto fallen, lo que resulta en una falla del producto.
- Está prohibido almacenar o transportar productos junto con llaves, joyas de metal u otros artículos de metal.
- No arroje el producto al fuego, ya que esto hará que el producto se incendie y explote.

### Solución de problemas principal

Sintoma	Solución alternativa
El producto no es reactivo en el arranque y no hay salida de CC, USB y CA	-Retire todos los dispositivos eléctricos, cárguelos durante 5-10 minutos y vuelva a encender el sistema. Asegúrese de que el producto se encuentra actualmente en el rango de temperatura normal de uso doméstico
El producto se puede encender, pero la interfaz correspondiente a la salida no tiene salida (DC, USB, AC)	-Compruebe si la potencia del producto es demasiado baja, si es así, cárguelo a tiempo. -Compruebe si el dispositivo alimentado es superior a la potencia de salida de este producto causó protección, retire la carga y reinicie el sistema. -Confirme que la salida de este producto cumple con los requisitos de potencia del dispositivo de alimentación. -Compruebe si hay un cortocircuito entre el dispositivo alimentado, retire el dispositivo y vuelva a encenderlo. Use el dispositivo en otras fuentes de alimentación para ver si se usa normalmente, lo que puede deberse a la incompatibilidad de dispositivos individuales.
Apagado inesperado durante el uso del producto	El arranque del sistema de protección interna conduce al apagado del producto, lo que puede hacer que el sistema de protección inicie el evento de sobrecarga, sobrecarga, alta temperatura, baja temperatura, sobrecorriente, cortocircuito. Para resolver el problema rápidamente, espólvoree todo el equipo eléctrico, deje que la temperatura del producto permanezca dentro del rango de temperatura normal y cargue el producto durante 5-10 minutos. Al mismo tiempo, verifique si el equipo eléctrico está defectuoso. A continuación, vuelva a encender el sistema.
El producto no se puede cargar	-Confirme si los parámetros eléctricos de carga están dentro del rango de carga de este producto. -Compruebe si el dispositivo actual ha iniciado la protección de la temperatura porque la temperatura es demasiado alta o demasiado baja.
Los números irregulares aparecen en la pantalla	71 333 210 Después de presionar el botón DC/USB/AC/LED durante tres veces consecutivas, el número de versión del programa de software actual se mostrará en la pantalla. Se restaurará automáticamente después de 3 segundos, lo que no afecta el uso normal.

### Garantía

Durante el período de garantía, los defectos en el material y la mano de obra del producto y los daños causados por razones no humanas, el distribuidor proporcionará reparaciones y piezas de repuesto gratuitas. El Vendedor no será responsable de ninguna pérdida especial, incidental o consecuente, ni de ninguna pérdida o daño que surja de la incapacidad de usar los Productos, ya sea sola o en conjunto con cualquier otro equipo o material o por cualquier otra razón.

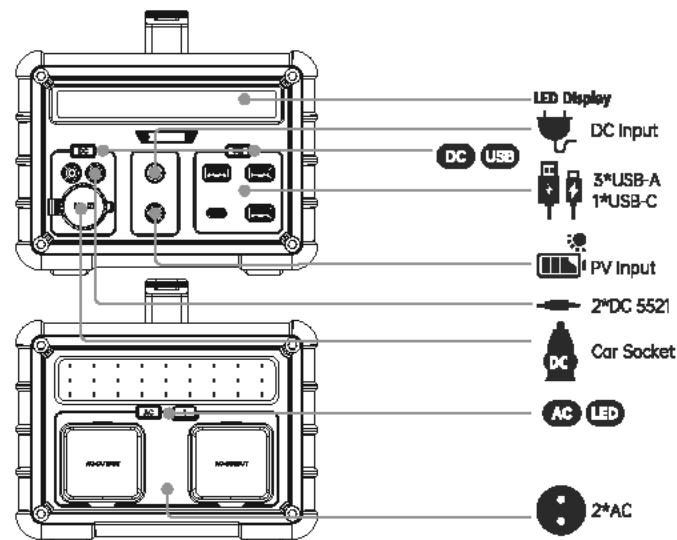
Las siguientes condiciones no están cubiertas por la garantía

- Abra el producto sin permiso.
- Daño por deformación obvia causado por fuerzas externas.
- El usuario no lo utilizó de acuerdo con los requisitos del manual de instrucciones.
- Falla o daño causado por fuerza mayor (rayos, inundaciones, etc.), provocados por el hombre (error de operación, carga no original del cargador, etc.), factores ambientales (alta temperatura, humedad, etc.).
- La caja de embalaje del producto y los accesorios del producto no están cubiertos por la garantía.

# ZENDURE

SuperCharged<sup>66</sup>

## SuperBase 1000M



### Vorsichtsmaßnahmen für die Verwendung

- Täglicher Gebrauch**
- Nach ca. 1-2 Sekunden Drücken der DC-Taste leuchten die entsprechenden DC- und CIG-Symbole auf dem Bildschirm auf, um das entsprechende Gerät aufzuladen.
  - Nachdem die USB-Taste ca. 1-2 Sekunden gedrückt wurde, leuchten die entsprechenden USB-A- und USB-C-Symbole auf dem Bildschirm entsprechend der Phase.
  - Nach dem Drücken der AC-Taste für ca. 1-2 Sekunden leuchtet das entsprechende AC-Symbol auf dem Bildschirm auf, um das entsprechende Gerät aufzuladen.
  - Nachdem die LED-Taste für ca. 1-2 Sekunden gedrückt wurde, leuchtet das LED-Licht, der kurze Druck schaltet die Hervorhebung, SOS, Blitzmodus, beliebigen Modus, die LED-Taste wird nach ca. 1-2 Sekunden ausgeschaltet.
  - Schalten Sie den AC/ DC/ USB-Ausgang aus, Sie können die entsprechende Taste 1-2 Sekunden lang gedrückt halten, und das entsprechende Symbol auf dem Bildschirm schaltet sich aus.
  - Wenn das Produkt erschöpft ist, laden Sie es bitte rechtzeitig auf.
  - Nach Gebrauch schalten Sie das System bitte rechtzeitig aus. (Es gibt einen Selbstverlust von ca. 10-20V im AC-Ausgang im Zustand).
- Wird weiterhin die Batterieleistung entleeren, was zu einer Verschwendung von Energie führt)
- Transport
- Das Produkt sollte während des Transports gerendigt und überflutet sein, und es sollte keine heftigen Vibrationen auftreten
- Vorraat
- Stellen Sie das Produkt nicht in eine Hochtemperaturumgebung (über 45°C) oder in die Nähe der Brandherde. Wenn die Lagerung 6 Monate überschreitet, um die Lebensdauer der Batterie zu verlängern, laden und entladen Sie das Produkt bitte 1-2 mal.
- Tägliche Wartung
- Im Falle einer Langzeitspeicherung (mehr als 3 Monate) sollten mindestens 50% des Stromspeichers gewartet werden.
- Verwenden Sie dieses Produkt in einem Temperaturbereich von 0-45°C, da eine Verwendung außerhalb dieses Bereichs die Lebensdauer des Produkts verkürzt.

Deutsch

### Panel-Symbol



Name	Funktion
1 Ladeanleitung	DC bedeutet Adapterladung oder Photovoltaik-Aufladung, CAR bedeutet Auto-Ladeanschluss-Laden und PD bedeutet USB-C-Laden
2 Akku-Symbol	Folgen Sie den 6 Zellen, um den Batteriestand anzuzeigen, und laden Sie das Pferd auf, um die Leistung anzuzeigen
3 Batterieanzeige	Zeigt den Akkustand nach Prozentsatz an, die Ladung beträgt 0% -100%
4 Verbleibende Zeit angezeigt	"TimeTo Full" gibt die verbleibende Zeit an, "TimeTo Empty" gibt die verbleibende Zeit an, und die entsprechende Zahl +H oder M unten gibt an, wie viele Stunden und Minuten noch übrig sind.
5 Gesamtleistungsanzeige und Anzeige der Wechselstromfrequenz	"Input Power" gibt die Ladeleistung und "Output Power" die Entladeleistung an. Die Zahl W oder KW unten gibt den aktuellen Leistungswert an, wenn Sie die AC AC-Frequenz umschalten müssen, drücken Sie 3 aufeinanderfolgende Treffer auf die AC-Taste, der Bildschirm zeigt "F50" an, was "50Hz" darstellt; "F60", der "60Hz" darstellt.
6 Auto-Power-Up-Modus	"Car-Start" zeigt an, dass die Autobatterie aufgeladen wird, geeignet zum Aufladen der Autobatterie, für den Notstart des Autos.
7 Anzeige des Schnittstellenstatus	Zeigt DC, CIG, USB-A, USB-C, AC, LIGHT an und zeigt an, dass die entsprechende Funktion eingeschaltet ist.
8 Anzeige des Autostartstatus	Die drei Anzegekombinationen ganz rechts- Start / Autostart fehlgeschlagen / Autostart abgeschlossen - stellen die laufende Startladung des Fahrzeugs, den Ladestart fehlgeschlagen und den Ladevorgang abgeschlossen dar.

### Häufig gestellte Fragen (FAQ)

- Ist das Produkt luftlos für die Wärmeableitung, ist es sicher?  
Das Produkt verwendet Hochfrequenz-Resonanz-Technologie, die Wärmeentwicklung wird um 50% reduziert, mit der Aluminiumlegierung Shell Wärmeableitung, keine Notwendigkeit für Lüfter, leiser, mehr Geld.
- Wie lange kann das Produkt gelagert werden?  
Die Hälfte der Ladung kann für 6-12 Monate gelagert werden, und es wird empfohlen, die Ladung alle drei Monate zu aktivieren.
- Wie lange dauert es, bis das Produkt vollständig aufgeladen ist?  
-Bei Verwendung von Netz- / Photovoltaikmodulen, Autoladung, Type-C-Laden gleichzeitig, die schnellste 4 Stunden voll  
-Beim Laden mit Netzstrom dauert es ca. 10 Stunden, um vollständig aufgeladen zu sein.  
-Beim Aufladen mit der Autoladung dauert es ca. 10 Stunden, um den Durst zu stillen.  
-Beim Laden mit Typ-C dauert es etwa 12 Stunden, um vollständig aufgeladen zu sein.  
-Beim Laden mit Photovoltaikmodulen werden 150W Solar-Photovoltaik-Panele für etwa 10 Stunden bei einer äquivalenten Lichtintensität von 750W/m<sup>2</sup> ausgedrückt.  
Die oben genannten Daten sind Laborbeständen und dienen nur als Referenz.
- Kann ich das Produkt gleichzeitig mit Solarenergie und Autoladung aufladen?  
Sie können gleichzeitig zusammen laden, und die Ladezeit wird um die Hälfte reduziert.
- Kann das Produkt während des Ladens entladen (Ausgang verwendet) werden?  
Dieses Produkt unterstützt das Entladen während des Ladevorgangs und kann gleichzeitig verwendet werden. Wenn die Ausgangsleistung größer als die Ladeleistung ist, wird die Akkuleistung langsam reduziert, und wenn sie auf einen niedrigen Batteriestand reduziert wird, wird der Ausgang ausgeschaltet.
- Ist das Produkt temperaturgeschützt?  
Aufladen 45 Grad Schutz, Entladung 60 Grad Schutz
- Wird das Produkt automatisch heruntergefahren?  
Nachdem das Produkt tief entladen wurde, wird es automatisch heruntergefahren, aber unter normalen Umständen, nach dem Öffnen, um kontinuierlich entladen zu werden, wird es nicht automatisch heruntergefahren
- Wie viel Hubraum kann das Produktauto beim Starten starten?  
Das Produktstartprinzip besteht darin, die Autobatterie aufzuladen, das 12V-System kann verwendet werden, der Hubraum ist nicht begrenzt
- Was bedeutet der Bildschirm, wenn er SUS anzeigt?  
Die Bildschirmanzeige SUS zeigt an, dass die Ladetemperatur zu hoch oder zu niedrig ist und das Produkt zu diesem Zeitpunkt nicht aufgeladen werden kann.

### Packliste



### Produktparameter

	ZDSB1000M
	1016.16Wh (14.6V/69.6Ah)
	359mm x 190mm x 138mm
	8.55kg
	-20°C~40°C
	0°C~40°C
<b>Input</b>	
	18-24V, 120W Max
	18-24V, 120W Max
	5V==2.4A, 9V/12V/15V/20V==3A, 20V==5A, 100W Max
	12.6V==10A, 126W Max
<b>Output</b>	
	230V~50/60Hz, Rated 1000W, Peak 1500W
	12V==6A, each port 72W Max, total 120W
	5V==2.4A, 9V/12V/15V/20V==3A, 20V==5A, 100W Max
	5V==2.4A, 12W Max
	12V==10A, 120W Max

### Warnhinweise und Vorsichtsmaßnahmen

- Produkt AC-Übertragung, bitte stecken Sie Ihre Hand oder Handheld-Metallleitern nicht in die AC-Buchse.
- Öffnen Sie das Produkt nicht ohne Erlaubnis, um unbekanntes Gefahren zu vermeiden.
- Bitte lesen Sie vor dem Gebrauch das spezifische Benutzerhandbuch des Produkts.
- Zerlegen oder modifizieren Sie das Produkt nicht, setzen Sie keine Fremdkörper ein oder tauchen Sie es nicht in Wasser oder andere Flüssigkeiten ein, um ein Auslaufen, Überhitzen, Feuer fangen oder Explodieren des Produkts zu vermeiden.
- Es ist strengstens verboten, Produkte mit offensichtlichen Schäden zu verwenden, sowie die Verwendung von beschädigten Drähten und Steckern, um auf Produkte zuzugreifen, bei denen die Gefahr eines elektrischen Schlags besteht.
- Laden Sie mit dem Originaladapter auf, um Feuer, Explosion oder andere Gefahren zu vermeiden.
- Bitte wählen Sie das Solarpanel gemäß den vom Hersteller angegebenen elektrischen Parametern aus, die Spannung über dem Parameterbereich kann das Produkt beschädigen.
- Wenn das Produkt während des Ladens oder der Lagerung Geruch, Fieber und andere abnormale Bedingungen abgibt, beenden Sie bitte sofort den Ladevorgang und legen Sie es zur Fernbeobachtung an einen offenen Ort, bestätigen Sie die Sicherheit und wenden Sie sich an den Hersteller oder Händler.
- Dieses Produkt ist ein Netzteil, bitte wählen Sie das entsprechende Modell entsprechend der elektrischen Ausrüstung, verbieten Überstrom, Überlastverwendung dieses Produkts.
- Es ist verboten, die positiven und negativen Pole jedes Ausgangsports des Produkts kurz zu verbinden.
- Dieses Produkt entspricht verschiedenen nationalen Spannungsstandards für Vertriebsanstellungen, bevor Sie es kaufen und verwenden, wenden Sie sich bitte an den Händler oder steuern Sie das Benutzerhandbuch des Produkts.
- Produktteile sind umweltfreundlich und recycelbar, bitte recyceln Sie gemäß den lokalen Vorschriften.
- Nicht in Höhen über 2000 m verwenden.

- Dieses Produkt und sein Zubehör können einige Kleinteile enthalten, bitte bewahren Sie das Produkt und sein Zubehör außerhalb der Reichweite von Kindern auf. Kinder können dieses Produkt und sein Zubehör versehentlich beschädigen oder Kleinteile verschlucken, die Erstick- oder andere Gefahren verursachen können. Kinder oder Menschen mit eingeschränkter geistiger Fähigkeit sollten dieses Produkt mit einem Vormund verwenden.
- Dieses Produkt ist mit einer nicht austauschbaren eingebauten Batterie ausgestattet, ersetzen Sie die Batterie nicht selbst, um die Batterie oder das Produkt nicht zu beschädigen, was zu Brand-Explosionen oder anderen Gefahren führen kann.
- Halten Sie das Produkt trocken. Verwenden Sie das Produkt nicht an grauem, nassen, schmutzigen Orten, um interne Stromkreislauf zu vermeiden.
- Verwenden Sie dieses Produkt nicht bei Gewittern. Gewitter können zu Produktverzögerungen oder der Gefahr eines elektrischen Schlags führen.
- Lesen Sie das Produkt nicht fallen, quetschen oder punktieren. Vermeiden Sie es, das Produkt großen äußeren Belastungen auszusetzen, die zu Kurzschlüssen und Überhitzung im Inneren des Produkts führen können.
- Wenn das Produkt während des Gebrauchs versehentlich ins Wasser fällt, wird es an einem sicheren offenen Ort platziert und sollte nicht erneut verwendet werden.
- Es ist verboten, das Produkt in einer starken statischen oder magnetischen Feldumgebung zu verwenden, was dazu führen kann, dass einige der Schutzfunktionen des Produkts versagen, was zu einem Produktversagen führt.
- Es ist verboten, Produkte zusammen mit Schießwaffen, Metallschmuck oder anderen Metallgegenständen zu lagern oder zu transportieren.
- Werfen Sie das Produkt nicht ins Feuer, da dies dazu führt, dass das Produkt Feuer fängt und explodiert.

### Primäre Fehlerbehebung

Symptom	Problemumgehung
Das Produkt ist beim Booten nicht reaktiv und es gibt keine Ausgabe von DC, USB und AC	-Entfernen Sie alle elektrischen Geräte, laden Sie sie für 5-10 Minuten auf und schalten Sie das System wieder ein. Bitte stellen Sie sicher, dass sich das Produkt derzeit im normalen Temperaturbereich im häuslichen Gebrauch befindet
Das Produkt kann eingeschaltet werden, aber die Schnittstelle, die dem Ausgang entspricht, hat keinen Ausgang (DC, USB, AC)	-Überprüfen Sie, ob die Leistung des Produkts zu niedrig ist, wenn ja, laden Sie es bitte rechtzeitig auf. -Überprüfen Sie, ob das mit Strom versorgte Gerät höher ist als die Ausgangsleistung dieses Produkts, die den Schutz verursacht hat, entfernen Sie die Last und starten Sie das System neu. -Vergewissern Sie sich, dass der Ausgang dieses Produkts die Leistungsanforderungen des Leistungsgeräts erfüllt. -Überprüfen Sie den Ausgangsanschluss auf einen Kurzschluss zwischen dem mit Spannung versorgten Gerät, entfernen Sie das Gerät und schalten Sie es wieder ein. Verwenden Sie das Gerät an anderen Stromquellen, um festzustellen, ob es normal verwendet wird, was durch die Inkompatibilität einzelner Geräte verursacht werden kann.
Unerwartetes Herunterfahren während der Produktnutzung	Der Start des internen Schutzsystems führt zum Herunterfahren des Produkts, was dazu führen kann, dass das Schutzsystem das Ereignis von Überladung, Überhitzung, hoher Temperatur, niedriger Temperatur, Überstrom und Kurzschluss auslöst. Um das Problem schnell zu beheben, streuen Sie die elektrischen Geräte, lassen Sie die Produkttemperatur im normalen Temperaturbereich stehen und laden Sie das Produkt für 5-10 Minuten auf. Überprüfen Sie gleichzeitig, ob die elektrische Ausrüstung fehlerhaft ist. Schalten Sie dann das System wieder ein
Das Produkt kann nicht aufgeladen werden	-Bitte überprüfen Sie, ob die elektrischen Ladeparameter innerhalb des Ladebereichs dieses Produkts liegen. Überprüfen Sie, ob das aktuelle Gerät einen Temperaturschutz initiiert hat, da die Temperatur zu hoch oder zu niedrig ist.
Unregelmäßige Zahlen erscheinen auf der Anzeige	Après avoir appuyé sur le bouton DC / USB / AC / LED pour trois fois consécutifs, le numéro de version du logiciel (logiciel) actuel sera affiché à l'écran. Il sera restauré automatiquement après 3 secondes, ce qui n'affecte pas l'utilisation normale.

### Garantie

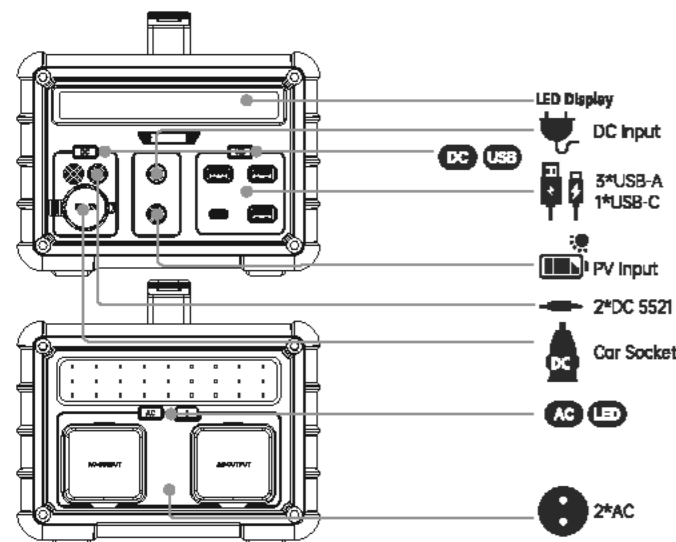
- Während der Garantiezeit, Mängel im Material und in der Verarbeitung des Produkts und Schäden, die durch nicht-menschliche Gründe verursacht werden, stellt der Händler kostenlose Reparatur- und Ersatzteile zur Verfügung.
- Der Verkäufer haftet nicht für besondere, zufällige oder Folgeschäden oder Verluste oder Schäden, die sich aus der Unfähigkeit ergeben, die Produkte zu verwenden, sei es allein oder in Verbindung mit anderen Geräten oder Materialien oder aus einem anderen Grund.
- Die folgenden Bedingungen sind nicht durch die Garantie abgedeckt
- Öffnen Sie das Produkt ohne Erlaubnis.
  - Offensichtliche Verformungsschäden durch äußere Kräfte.
  - Der Benutzer hat es nicht in Übereinstimmung mit den Anforderungen der Bedienungsanleitung verwendet.
  - Ausfall oder Beschädigung durch höhere Gewalt (Blitzschlag, Überspannung usw.), vom Menschen verursachte Betriebsfehler, nicht originale Aufladung des Ladegeräts usw.), Umweltfaktoren (hohe Temperatur, Feuchtigkeit usw.).
  - Produktverpackung und Produktzubehör sind nicht durch die Garantie abgedeckt.

# ZENDURE

SuperCharged

Italiano

## SuperBase 1000M



### Precauzioni per l'uso

- Uso quotidiano**
- Dopo aver premuto il pulsante DC per circa 1-2 secondi, le icone DC e CIG corrispondenti sullo schermo vengono illuminate per caricare il dispositivo corrispondente. Quando il pulsante DC è acceso, fare doppio clic sul pulsante e l'icona Car-Start corrispondente sullo schermo è illuminata per caricare la batteria dell'auto.
  - Dopo aver premuto il pulsante USB per circa 1-2 secondi, le icone USB-A e USB-C corrispondenti sullo schermo vengono illuminate per corrispondere alla fase. Il dispositivo dovrebbe essere caricato.
  - Dopo aver premuto il pulsante AC per circa 1-2 secondi, l'icona AC corrispondente sullo schermo si illumina per caricare il dispositivo corrispondente.
  - Dopo aver premuto il pulsante LED per circa 1-2 secondi, la luce LED è accesa, la breve pressione attiva l'evidenziazione, SOS, modalità flash, qualsiasi modalità, il pulsante LED viene spento dopo circa 1-2 secondi.
  - Spegnerne l'uscita AC/DC/USB, è possibile tenere premuto il pulsante corrispondente per 1-2 secondi e l'icona corrispondente sullo schermo si spegne. Spegnimento rapido, è possibile tenere premuto uno qualsiasi dei tasti da spegnere per 3-5 secondi fino a quando tutte le funzioni non vengono disattivate contemporaneamente.
  - Quando il prodotto è esaurito, si prega di ricaricarlo in tempo.
  - Dopo l'uso, spegnere il sistema in tempo. (C'è un'auto-perdita di circa 10-20W nell'uscita CA sullo stato. Continuerà a scaricare la potenza della batteria con conseguente spreco di energia).
- trasporto**
- Il prodotto deve essere impermeabile e alligato durante il trasporto e non ci dovrebbero essere vibrazioni violente
- riserva**
- Non posizionare il prodotto in un ambiente ad alta temperatura (superiore a 45°C) vicino alla fonte del fuoco. Se la conservazione supera i 6 mesi, al fine di prolungare la durata della batteria, caricare e scaricare il prodotto 1-2 volte.
- Mantenimento giornaliera**
- Nel caso di stoccaggio a lungo termine (più di 3 mesi), dovrebbe essere mantenuto almeno il 50% dello stoccaggio di energia elettrica.
- Utilizzare questo prodotto in un intervallo di temperatura compreso tra 0 e 45°C, poiché l'uso al di fuori di questo intervallo ridurrà la durata del prodotto.

### Icona del pannello



	nome	funzione
1	Istruzioni di ricarica	DC significa utilizzare la ricarica dell'adattatore o la ricarica fotovoltaica, CAR significa ricarica della porta di ricarica dell'auto e PD significa ricarica USB-C
2	Icona della batteria	Segui le 4 icone per visualizzare il livello della batteria e carica il cavallo per indicare la potenza
3	Indicazione della batteria	Visualizza il livello della batteria in percentuale, la carica è 0% -100%
4	Tempo rimanente indicato	"Time To Full" indica il tempo rimanente, "Time To Empty" indica il tempo rimanente e il numero corrispondente *H o M sotto indica quante ore e minuti sono rimasti.
5	Indicatore di potenza totale e frequenza CA di commutazione del display	"Input Power" indica la potenza di ricarica e "Output Power" indica la potenza scaricata. Il numero W o KW sotto indica il valore di potenza corrente, se è necessario attivare o disattivare la frequenza AC/AC, 3 colpi consecutivi il pulsante AC, lo schermo visualizza "F50", che rappresenta "50Hz"; "F60", che rappresenta "60Hz".
6	Modalità di accensione dell'auto	"Car-Start", indica che la batteria dell'auto è in carica, adatta per ricaricare la batteria dell'auto, per l'avvio di emergenza dell'auto.
7	Indicazione dello stato dell'interfaccia	Visualizza DC, CIG, USB-A, USB-C, AC, LIGHT, indicando che la funzione corrispondente è attivata.
8	Indicazione dello stato di avviamento dell'auto	Le tre combinazioni di visualizzazione all'estrema destra - Start / Car-Start Failed / Car-Start Completed rappresentano la carica di avvio dell'auto in corso, l'avvio della ricarica non riuscito e l'avvio della ricarica completato.

### domande frequenti

- Il prodotto è senza ventola per la dissipazione del calore, è sicuro? Il prodotto utilizza la tecnologia di risonanza ad alta frequenza, la generazione di calore è ridotta del 50%, con la dissipazione del calore del guscio in lega di alluminio, senza bisogno di ventole, più silenzioso, più arioso.
- Per quanto tempo può essere conservato il prodotto? La metà della carica può essere conservata per 6-12 mesi e si consiglia di attivare la carica ogni tre mesi.
- Quanto tempo ci vuole perché il prodotto sia completamente carico? -Quando si utilizzano pannelli di rete / fotovoltaici, ricarica dell'auto, ricarica Type-C allo stesso tempo, le 4 ore piene più veloci -Quando si carica con l'alimentazione di rete, ci vogliono circa 10 ore per caricarsi completamente. -Quando si carica con la carica dell'auto, ci vogliono circa 10 ore per riempire la rete. -Quando si carica con Type-C, ci vogliono circa 12 ore per caricarsi completamente. -Durante la ricarica con pannelli fotovoltaici, i pannelli solari fotovoltaici da 150 W vengano oscurati per circa 10 ore con un'intensità luminosa equivalente a 750W/m². I dati di cui sopra sono dati di test di laboratorio e sono solo di riferimento.
- Posso ricaricare il prodotto con energia solare e ricarica auto allo stesso tempo? Puoi caricare insieme allo stesso tempo e il tempo di ricarica sarà ridotto della metà
- Il prodotto può essere scaricato (uscita utilizzata) durante la ricarica? Questo prodotto supporta la scarica durante la ricarica e può essere utilizzato contemporaneamente. Quando la potenza di uscita è maggiore della potenza di ricarica, la potenza della batteria viene lentamente ridotta e quando viene ridotta a uno stato di batteria scarica, l'uscita viene disattivata.
- La temperatura del prodotto è protetta? Protezione di carica a 45 gradi, protezione da scarica a 60 gradi
- Il prodotto si spegnerà automaticamente? Dopo che il prodotto è stato scaricato in profondità, si spegnerà automaticamente, ma in circostanze normali, dopo l'apertura, al fine di scaricare continuamente, non si spegnerà automaticamente
- Quanto cilindrata dell'auto prodotto può iniziare l'avvio? Il principio di partenza del prodotto è quello di caricare la batteria dell'auto, è possibile utilizzare il sistema 12V, la cilindrata non è limitata
- Cosa significa lo schermo quando mostra SUS? Il display SUS indica che la temperatura di carica è troppo alta o troppo bassa e che il prodotto non può essere caricato in questo momento.

### Bolla di accompagnamento



### Parametri di prodotto

	ZDSB1000M
	Capacità della batteria
	1016.16Wh (14.6V/69.6Ah)
	Dimensioni
	359mm x 190mm x 138mm
	Peso
	8.55kg
	Temperatura di scarica
	-20°C~40°C
	Temperatura di carica
	0°C~40°C
<b>Immissione</b>	
	DC5521
	18-24V, 120W Max
	PV
	18-24V, 120W Max
	USB-C1
	5V==2.4A, 9V/12V/15V/20V==3A, 20V==5A, 100W Max
	Prasa auto
	12.6V==10A, 126W Max
<b>Prodotto</b>	
	CA
	230V~50/60Hz, Rated 1000W, Peak1500W
	DC5,DC4
	12V==6A, each port 72W Max,total 120W
	USB-C1
	5V==2.4A, 9V/12V/15V/20V==3A, 20V==5A, 100W Max
	USB-A1/A2/A3
	5V==2.4A, 12W Max
	Prasa auto
	12V==10A, 120W Max

### Avvertenze e precauzioni

- Trasmissione CA del prodotto, non inserire la mano o il conduttore metallico portatile nella presa CA.
- Non aprire il prodotto senza autorizzazione per evitare di causare danni sconosciuti.
- Si prega di leggere il manuale utente specifico del prodotto prima dell'uso.
- Non smontare o modificare il prodotto, inserire corpi estranei o immergerlo in acqua o altri liquidi per evitare perdite, surriscaldamento, prendere fuoco o far esplodere il prodotto.
- È severamente vietato utilizzare prodotti con danni evidenti, nonché l'uso di fili e spine danneggiati per accedere ai prodotti, che è in pericolo di scosse elettriche.
- Caricare con l'adattatore originale per evitare incendi, esplosioni o altri pericoli.
- Selezionare il pannello solare in base ai parametri elettrici specificati dal produttore, la tensione al di sopra dell'intervallo di parametri potrebbe danneggiare il prodotto.
- Se il prodotto emette odore, febbre e altre condizioni anomale durante la ricarica o lo stoccaggio, interrompere immediatamente la ricarica e posizionarlo in un luogo aperto per l'osservazione a lunga distanza, confermare la sicurezza e contattare il produttore o il rivenditore.
- Questo prodotto è un alimentatore, selezionare il modello corrispondente in base all'apparecchiatura elettrica, vietare l'uso eccessivo e sovraccarico di questo prodotto.
- È vietato collegare brevemente i poli positivi e negativi di ciascuna porta di uscita del prodotto.
- Questo prodotto secondo diversi standard di tensione nazionali per le impostazioni di fabbrica, prima dell'acquisto e dell'utilizzo, consultare il rivenditore o controllare il manuale d'uso del prodotto da utilizzare.
- Le parti del prodotto sono ecologiche e riciclabili, si prega di riciclare secondo le normative locali.
- Non utilizzare ad altitudini superiori a 2000 m.

- Questo prodotto e i suoi accessori possono contenere alcune piccole parti, si prega di tenere il prodotto e i suoi accessori fuori dalla portata dei bambini. I bambini possono involontariamente danneggiare questo prodotto e i suoi accessori o ingoiare piccole parti che possono causare soffocamento o altri pericoli. I bambini o le persone con capacità mentali limitate dovrebbero usare questo prodotto con un tutore.
- Questo prodotto è dotato di una batteria incorporata non rimovibile, non sostituire la batteria da soli, in modo da non danneggiare la batteria o il prodotto, che potrebbe causare esplosioni di incendio o altri pericoli.
- Mantenere il prodotto asciutto. Non utilizzare il prodotto in luoghi umidi e sporchi per evitare di causare guasti al circuito interno.
- Non utilizzare questo prodotto in caso di temporali. I temporali possono causare guasti al prodotto o il rischio di scosse elettriche.
- Non far cadere, spremere o forzare il prodotto. Evitare di esporre il prodotto a grandi sollecitazioni esterne che possono portare a cortocircuiti e surriscaldamento all'interno del prodotto.
- Se il prodotto cade accidentalmente nell'acqua durante l'uso, verrà posto in un'area aperta sicura e non deve essere riutilizzato.
- È vietato utilizzare il prodotto in un ambiente fortemente statico o magnetico, che potrebbe causare il fallimento di alcune delle funzioni di protezione del prodotto, con conseguente guasto del prodotto.
- È vietato conservare o trasportare prodotti insieme a chiavi, gioielli in metallo o altri oggetti metallici.
- Non gettare il prodotto nel fuoco, in quanto ciò causerà il fuoco del prodotto e l'esplosione.

### Risoluzione dei problemi principali

Il prodotto non è reattivo all'avvio e non vi è alcuna uscita di DC, USB e CA	-Rimuovere tutti i dispositivi elettrici, caricarli per 5-10 minuti e riaccendere il sistema. Assicurarsi che il prodotto sia attualmente in un intervallo di temperatura normale per uso domestico
Il prodotto può essere acceso, ma l'interfaccia corrispondente all'uscita non ha uscita (DC, USB, AC)	-Controllare se la potenza del prodotto è troppo bassa, in tal caso, caricalo in tempo. -Verificare se il dispositivo alimentato è superiore alla potenza di uscita di questo prodotto causando protezione, rimuovere il carico e riavviare il sistema. -Verificare che l'uscita di questo prodotto soddisfi i requisiti di alimentazione del dispositivo di alimentazione. -Controllare la porta di uscita per un cortocircuito tra il dispositivo alimentato, rimuovere il dispositivo e riaccenderlo. Utilizzare il dispositivo su altre fonti di alimentazione per vedere se viene utilizzato normalmente, il che può essere causato dall'incompatibilità dei singoli dispositivi.
Arresto imprevisto durante l'uso del prodotto	L'avvio del sistema di protezione interno porta all'arresto del prodotto, che può causare l'avvio del sistema di protezione in caso di sovraccarico, sovraccarico, alta temperatura, bassa temperatura, sovraccarico, cortocircuito. Per risolvere rapidamente il problema, spegnere tutte le apparecchiature elettriche, lasciare che la temperatura del prodotto rimanga all'interno del normale intervallo di temperatura e caricare il prodotto per 5-10 minuti. Allo stesso tempo, verificare se l'apparecchiatura elettrica è difettosa. Quindi riaccendere il sistema.
Arresto imprevisto durante l'uso del prodotto	-Si prega di confermare se i parametri elettrici di ricarica rientrano nell'intervallo di ricarica di questo prodotto. Controllare se il dispositivo corrente ha avviato la protezione della temperatura perché la temperatura è troppo alta o troppo bassa.
I numeri irregolari appaiono sul display	7   333 210 Dopo aver premuto il pulsante DC/USB/AC/LED per tre volte consecutive, il numero di versione del programma software corrente verrà visualizzato sullo schermo. Verrà ripristinato automaticamente dopo 3 secondi, il che non influisce sull'uso normale.

### Garanzia

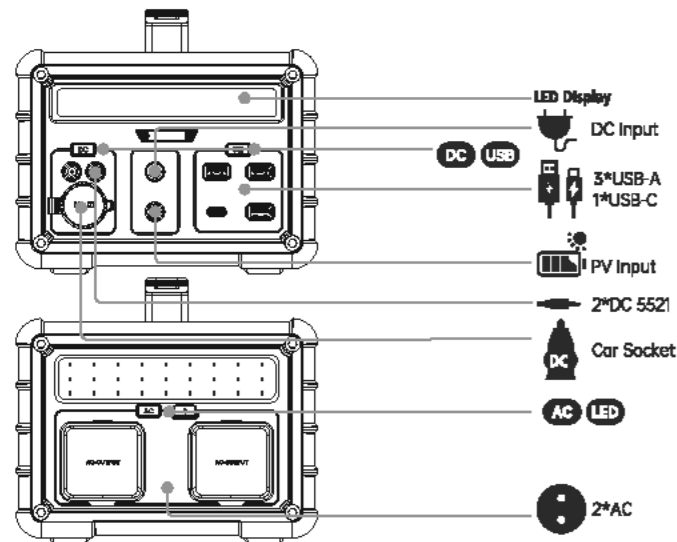
- Durante il periodo di garanzia, difetti nel materiale e nella lavorazione del prodotto e danni causati da motivi non umani, il rivenditore fornirà gratuitamente riparazioni e parti di ricambio.
- Il venditore non sarà responsabile per eventuali perdite speciali, incidentali o consequenziali, o per qualsiasi perdita o danno derivante dall'impossibilità di utilizzare i Prodotti, da soli o in combinazione con qualsiasi altra attrezzatura o materiale o per qualsiasi altro motivo.
- Le seguenti condizioni non sono coperte dalla garanzia
- Aprire il prodotto senza autorizzazione.
  - Evidenti danni da deformazione causati da forze esterne.
  - L'utente non lo ha utilizzato in conformità con i requisiti del manuale di istruzioni.
  - Guasti o danni causati da cause di forza maggiore (fulmini, allagamenti, ecc.), causati dall'utente (errore di funzionamento, ricarica del caricabatterie non originale, ecc.), fattori ambientali (alta temperatura, umidità, ecc.).
  - La confezione del prodotto e gli accessori del prodotto non sono coperti da garanzia.

# ZENDURE

SuperCharged<sup>®</sup>

Nederlands

## SuperBase 1000M



### Voorzorgsmaatregelen voor gebruik

Dagelijks gebruik

1. Nadat de DC-knop ongeveer 1-2 seconden is ingedrukt, gaan de bijbehorende DC- en CIG-pictogrammen op het scherm branden en kan het bijbehorende apparaat worden opgeladen. Wanneer de DC-knop is ingeschakeld, dubbelklikt u op de knop en het bijbehorende AutoStart-pictogram op het scherm licht op om de autoaccu op te laden.

2. Nadat de USB-toets ongeveer 1-2 seconden is ingedrukt, zullen de bijbehorende USB-A en USB-C pictogrammen op het scherm oplichten voor de fase. Het apparaat moet worden opgeladen.

3. Wanneer u de AC-toets ongeveer 1-2 seconden ingedrukt houdt, licht het bijbehorende AC-pictogram op het scherm op en kan het bijbehorende apparaat worden opgeladen.

4. LED verlichting gaat aan na ongeveer 1-2 seconden lang indrukken van de LED knop, kort indrukken om te schakelen tussen groot licht, SOS en knipperende modus, in elke modus gaat de LED knop uit na ongeveer 1-2 seconden lang indrukken.

5. Om de AC/DC/USB-uitgang uit te schakelen, houdt u de betreffende toets 1-2 seconden ingedrukt, waarna het bijbehorende pictogram op het scherm uitgaat.

Snelle uitschakeling, houd een van de uit te schakelen knoppen 3-5 seconden ingedrukt totdat alle functies tegelijkertijd zijn uitgeschakeld.

6. Als de stroom van het product opdroekt, laad het dan onmiddellijk weer op.

7. Schakel het apparaat na gebruik tijdig uit. (Er is een zelfverlies van ongeveer 10-20V wanneer de AC-uitgang is ingeschakeld.)

(De batterij blijft leeglopen, wat leidt tot energieverstijping)

Verzendings

Het product moet tijdens het vervoer worden beschermd tegen regen en water en mag niet worden blootgesteld aan hevige trillingen.

Opslag

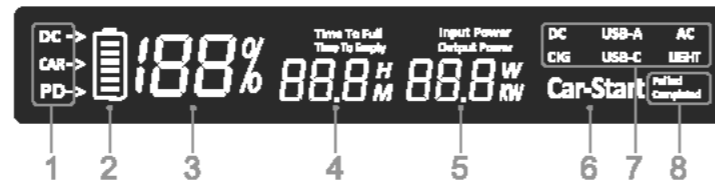
Plaats het product niet in een hete omgeving (meer dan 45°C) of in de buurt van een ontstekingsbron.

Inslaan opgeslagen voor meer dan 6 maanden, om de levensduur van de batterij te verlengen, gelieve het product 1-2 keer op te laden en te ontladen.

Dagelijks onderhoud

Bij langdurige opslag (meer dan 3 maanden) moet ten minste 50% van de elektriciteit worden opgeslagen. Gebruik dit product binnen het temperatuurbereik van 0-45°C. Gebruik buiten dit bereik verkort de levensduur van het product.

### Pictogrammen voor het paneel



	Naam	Functie
1	Opladingsinstructies	DC voor opladen met adapter of PV, CAR voor opladen via auto-laadpoort, PD voor opladen via USB-C
2	Machtspictogram	Batterijniveau volgens 6 cellen, laadruimte geeft laadniveau aan
3	Batterijindication/indicator	Weergave van batterijniveau per percentage, 0%-100% lading
4	Resterende tijd indicator	Weergave van batterijniveau per percentage, 0%-100% lading
5	Totaal vermogen indicatie & display schakelende AC frequentie	"Input Power" geeft het laadvermogen aan en "Output Power" geeft het ontlaadvermogen aan. Het onderste getal W of KW geeft de huidige vermogenswaarde aan, als u de AC-frequentie wilt veranderen, drukt u 3 keer achter elkaar op de AC-toets, op het scherm verschijnt "F50" voor "50Hz"; "F60" voor "60Hz".
6	Auto oplaadmodus	"Car-Start", dat aangeeft dat de accu van de auto wordt opgeladen, is geschikt voor het bijvullen van de accu van de auto en voor het noodstarten van de auto.
7	Indicatie van de interfocastatus	DC, CIG, USB-A, USB-C, AC, LIGHT worden weergegeven om aan te geven dat de overeenkomstige functie is ingeschakeld.
8	Statusindicatie autostart	De drie schermcombinaties Car-Start /Car-Start Failed /Car-Start Completed uiterst rechts geven aan dat het opladen van de auto aan de gang is, dat het opladen van de auto is mislukt en dat het opladen van de auto is voltooid.

### Gemeenschappelijke problemen

- Is het product veilig zonder ventilatorcooling?  
Het product maakt gebruik van hoogfrequente resonantietechnologie om de warmteontwikkeling met 50% te verminderen, en met de behuizing van aluminiumlegering voor warmteafvoer is er geen ventilator nodig, waardoor het stiller en veiliger is.
- Hoe lang kan ik het product bewaren?  
De helft van de lading kan 6-12 maanden worden bewaard, het wordt aanbevolen om het elke drie maanden op te laden en te activeren.
- Hoe lang duurt het om het product volledig op te laden?  
- Tot 4 uur gelijkmatig opladen met lichtneef/fotovoltaïsch paneel, autolader en Type-C  
- Bij opladen met netstroom duurt het ongeveer 10 uur om volledig op te laden.  
- Bij het opladen met de autolader duurt het ongeveer 10 uur om op te laden.  
- Bij opladen met Type-C duurt het ongeveer 12 uur om volledig op te laden.  
- Bij het opladen met PV-panels zijn 150W zonnepanelen in ongeveer 10 uur volledig opgeladen bij een equivalente lichtintensiteit van 750W/m<sup>2</sup>.
- De bovenstaande gegevens zijn laboratoriumtestgegevens en dienen uitsluitend ter referentie.  
4. Kan ik het product tegelijkertijd opladen met zonne-energie en een autolader?  
Kan tegelijkertijd worden opgeladen en de oplaadtijd wordt gehalveerd.
- Kan het product tegelijkertijd worden opgeladen en ontladen (uitganggebruik)?  
Dit product ondersteunt tegelijkertijd opladen en ontladen en kan tegelijkertijd seksueel worden gebruikt. Wanneer het uitgangsvermogen groter is dan het laadvermogen, neemt het batterijvermogen langzaam af en wordt de uitgang uitgeschakeld wanneer de batterij bijna leeg is.
- Is de temperatuur van het product beschermd?  
Opladen 45 graden bescherming, ontladen 60 graden bescherming
- Schakelt het product automatisch uit?  
Het product zal automatisch uitschakelen na diepe ontlading, maar onder normale omstandigheden zal het niet automatisch uitschakelen na te zijn ingeschakeld om verder te ontladen
- Hoe groot kan Product Car Start een auto starten?  
Het startprincipe van het product is het opladen van de autoaccu, 12V systeem kan worden gebruikt, de verplaatsing is niet beperkt
- Wat betekent het als SUS op het scherm verschijnt?  
De schermweergave SUS geeft aan dat de oplaadtemperatuur te hoog of te laag is en dat het product in dat geval niet kan worden opgeladen.

### Paklijst



### Productparameters

	Capacity	ZDSB1000M
	Afmetingen	1016.16Wh (14.6V/69.6Ah)
	Gewicht	359mm x 190mm x 138mm
	Ontlaadings temperatuur	8.55kg
	Temperatuur van de lading	-20°C~40°C
	Ingang	0°C~40°C
	DC5521	18-24V, 120W Max
	PV	18-24V, 120W Max
	USB-C1	5V= 2.4A, 9V/12V/15V/20V = 3A, 20V = 5A, 100W Max
	Autoconnectdoos	12.6V = 10A, 126W Max
	Uitgang	
	DC5521	230V~50/60Hz, Rated 1000W, Peak1500W
	DC5521	12V = 6A, each port 72W Max, total 120W
	USB-C1	5V = 2.4A, 9V/12V/15V/20V = 3A, 20V = 5A, 100W Max
	USB-A1/A2/A3	5V = 2.4A, 12W Max
	Autoconnectdoos	12V = 10A, 120W Max

### Waarschuwingen en voorzorgsmaatregelen

- Steek uw handen of draagbare metalen geleiders niet in het stopcontact.
- Haal het product niet zelf uit elkaar om te voorkomen dat er onbekende gevaarlijke dingen gebeuren.
- Lees voor gebruik de gebruiksaanwijzing van het specifieke product.
- Demonteer of wijzig het product niet, steek er geen vreemde voorwerpen in en dompel het niet onder in water of andere vloeistoffen, aangezien dit lekage, oververhitting, brand of explosie kan veroorzaken.
- Het is ten strengste verboden om producten met duidelijke schade te gebruiken, evenals beschadigde draden en stekkers die op het product zijn aangesloten, met het risico van elektrische schokken.
- Gebruik de originele adapter voor het opladen om brand, explosie of andere gevaren te voorkomen.
- Selecteer het zonnepaneel volgens de door de fabrikant opgegeven elektrische parameters, spanningen boven het parameterbereik kunnen het product beschadigen.
- Als het product tijdens het opladen of de opslag abnormaal toont zoals geur of warmte afgeeft, stop dan onmiddellijk met opladen en plaats het op een open plek zodat u het van een afstand kunt observeren om de veiligheid te bevestigen en neem vervolgens contact op met de fabrikant of distributeur.
- Dit product is een voeding, lees o.u.b. het overeenkomstige model volgens de stroomverbruikende apparatuur, het is verboden dit product te gebruiken met overmatig vermogen of belasting.
- Het is verboden de positieve en negatieve klemmen van elke uitgangspoor van het product kort te sluiten.
- Dit product is in de fabriek ingesteld volgens verschillende nationale spanningsnormen, dus raadpleeg uw dealer of gebruiker in overeenstemming met de gebruikershandleiding van het product voordat u het koopt en gebruikt.
- Productonderdelen zijn ecologisch recyclebaar, gaal ze weg volgens de plaatselijke voorschriften.
- Niet gebruiken op hoogtes van meer dan 2000m.

- Dit product en zijn accessoires kunnen kleine onderdelen bevatten. Houd het product en de accessoires buiten het bereik van kinderen. Kinderen kunnen het product en de accessoires per ongeluk beschadigen of kleine onderdelen inslikken die verstikking of andere gevaren kunnen veroorzaken. Kinderen of mensen met beperkte geestelijke vermogens moeten worden begeleid door een voogd wanneer zij dit product gebruiken.
- Dit product is uitgerust met een niet-removabele interne batterij, gelieve de batterij niet zelf te vervangen, aangezien dit de batterij of het product kan beschadigen en brand en explosie of andere gevaren kan veroorzaken.
- Houd het product droog. Gebruik het product niet in stoffige, vochtige of vulle ruimtes, omdat dit kan leiden tot storingen in het interne circuit van het product.
- Gebruik dit product niet bij onweer. Bliksem kan leiden tot defecten aan het product of gevaar voor elektrische schokken.
- Laat het product niet vallen, verpletter of doorboor het niet. Stel het product niet bloot aan grote externe druk die kan leiden tot kortsluiting en oververhitting in het product.
- Als het product tijdens het gebruik per ongeluk in het water valt, plaats het dan in een veilige open ruimte en gebruik het niet meer.
- Het is verboden het product te gebruiken in een sterk statische of magnetische omgeving, omdat dit kan leiden tot het falen van sommige beschermende functies van het product en dus tot een slechte werking van het product.
- Het is verboden het product samen met sleutels, metalen sieraden of andere metalen voorwerpen te bewaren of te vervoeren.
- Gebruik het product niet in het vuur, want dan kan het vlam vatten en exploderen.

### Grote problemen oplossen

Faaltverschijnselen	Oplossingen
Geen reactie wanneer het product wordt ingeschakeld, geen output van DC, USB of AC	1. Verwijder alle apparaten die stroom gebruiken, laad vervolgens 5-10 minuten op en zet het apparaat weer aan. 2. Zorg ervoor dat het product een normale temperatuur heeft voor huishoudelijk gebruik.
Het product is ingeschakeld, maar de bijbehorende uitgangsaansluiting wordt niet uitgevoerd (DC, USB, AC)	1. Controleer of het product bijna leeg is, zo ja, laad het dan onmiddellijk op. 2. Controleer of de elektrische apparatuur niet hoger is dan het uitgangsvermogen van het product dat bescherming veroorzaakt, verwijder de belasting en schakel opnieuw in. 3. Controleer of het vermogen van dit product voldoet aan de stroomveristen van de gebruikte elektrische apparatuur. 4. Controleer op kortsluiting tussen de uitvoerpoort en het gevoede apparaat, verwijder het apparaat en schakel het opnieuw in. 5. Gebruik het apparaat op een andere voeding om te zien of het goed werkt. Dit kan worden veroorzaakt doordat afzonderlijke apparaten niet compatibel zijn.
Onverwachte uitschakeling van het product tijdens het gebruik	Het interne beveiligingssysteem wordt geactiveerd waardoor het product wordt uitgeschakeld. Gebeurtenissen die het beveiligingssysteem kunnen activeren zijn overbelasting, overontlading, hoge temperatuur, lage temperatuur, overstroom, kortsluiting. Om het probleem snel op te lossen, koppelt u alle elektrische apparatuur los, laat u het product op een normale temperatuur en laat u het gedurende 5-10 minuten op. Controleer ook op storingen in de elektrische apparatuur. Schakel vervolgens weer in.
Product kan niet in rekening worden gebracht	1. Controleer of de elektrische laadparameters binnen het laadbereik van dit product liggen. 2. Controleer of het huidige apparaat de temperatuurbewijling heeft geactiveerd omdat de temperatuur te hoog of te laag is.
Er verschijnen onregelmatige nummers op het display	7 1 333 2 10 Wanneer de DC/USB/AC/LED-knop driemaal na elkaar wordt ingedrukt om te verschijnen, toont het scherm het versienummer van het huidige softwareprogramma en wordt het na 3 seconden automatisch hervat, zonder het normale gebruik te beïnvloeden.

### Garantie

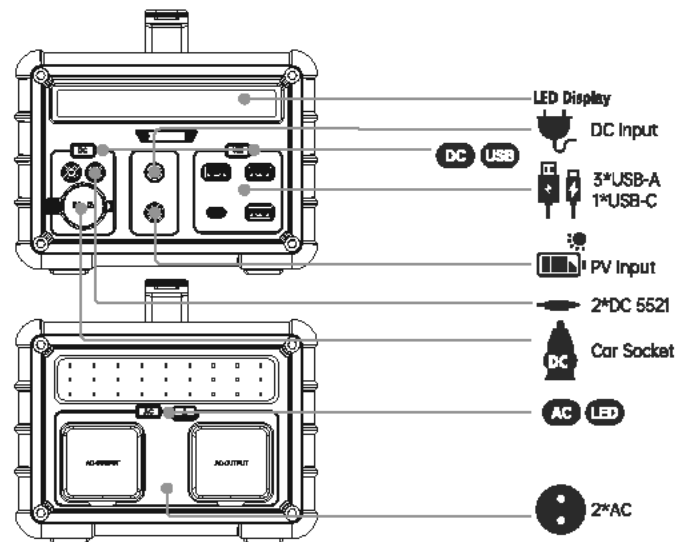
- Tijdens de garantieperiode zorgt de dealer voor gratis reparatie en vervangende onderdelen voor materiaal- en fabriekfouten en voor schade die niet door de mens is veroorzaakt.
- De Verkoop is niet aansprakelijk voor bijvoorbeeld, incidentele of gevolgschade, of enig verlies of schade die voortvloeit uit het niet kunnen gebruiken van de Producten, hetzij alleen of in combinatie met andere apparatuur of materialen of om enige andere reden.
- Het volgende valt niet onder de garantie
- Open het product privé.
  - Vervormingschade veroorzaakt door duidelijke externe krachten.
  - De gebruiker volgt de Instructies niet op.
  - Storing of schade veroorzaakt door overmacht (blikseminslag, overstroming, enz.), door de mens veroorzaakte (bedieningsfout, opladen met niet-originele lader, enz.), omgevingsfactoren (hoge temperatuur, vochtigheid, enz.).
  - Productverpakkingsdozen en productaccessoires vallen niet onder de garantie.

# ZENDURE

SuperCharged

## SuperBase 1000M

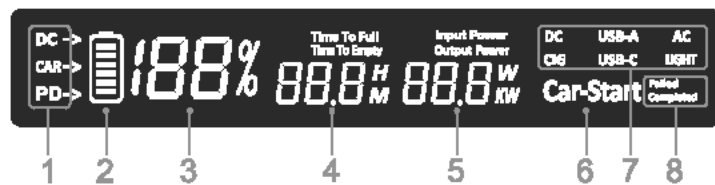
УкраїнськаName



### Використання та догляд

Використання AC, DC, автомобільного та USB виходів  
Натисніть і утримуйте кнопку, що відповідає виходу, який ви хочете використовувати. Через 2 секунди на екрані з'явиться відповідна піктограма. Натисніть і утримуйте кнопку ще раз протягом 2 секунд, щоб вимкнути відповідний вихід.  
Зарядка автомобільного акумулятора  
Активуйте виходи постійного струму, а потім двічі натисніть кнопку DC. На екрані з'явиться напис "Car-Start". Підключіть SuperBase до акумулятора автомобіля. Через деякий час на дисплеї з'явиться повідомлення "Failed" або "Completed", що вказує на те, чи пройшла зарядка успішно.  
Використання світлодіодного лістарика  
Натисніть і утримуйте кнопку "LED" протягом 2 секунд, щоб увімкнути лістарик. Натисніть кнопку ще раз для перемикання між нормальним, яскравим, SOS та блимаючим режимом. Натисніть і утримуйте кнопку "LED" протягом 2 секунд, щоб вимкнути лістарик.  
Швидке відключення  
Натисніть і утримуйте будь-яку підсвічену кнопку. Через декілька секунд всі виходи вимкнуть.  
Енергозбереження  
Коли виходи AC активні, втрата потужності становить 10-20W. Ми рекомендуємо вимкнути виходи AC, якщо вони не використовуються.  
Зміна частоти вхідного сигналу AC  
При активованому виході AC швидко натисніть кнопку "AC" тричі, щоб переключити вихідну частоту AC між 50 Hz і 60 Hz. На індикаторі живлення на кордоні час з'явиться "F50" або "F60" для позначення вибраної частоти.  
Транспортування  
Зарядка станції повинна бути завершена від дощу, затоплення, ударів і вібрацій під час транспортування.  
Зберігання  
Не розміщуйте у середовищі з високою температурою (вище 45°C) або поблизу полум'я.  
При тривалому зберіганні (більше трьох місяців) станція повинна бути заряджена не менше ніж на 50%, щоб максимально продовжити термін служби акумулятора.  
Будь ласка, заряджайте та розряджайте станцію двічі кожні шість місяців, щоб максимально продовжити термін служби акумулятора.  
Робоча температура  
Будь ласка, використовуйте станцію в діапазоні температур 0-45°C для безпечної експлуатації та максимального терміну служби.

### Опис дисплею



№	Назва	Функція
1	Індикатор режиму заряду	Вказує, від якого джерела живлення заряджається цей пристрій. DC: Від адаптера постійного струму або сонячного (фотоелектричного) джерела Car: Від порту "прикурювача" автомобіля PD: Від джерела живлення USB-C PD
2	Значок акумулятора	Segui le 6 celle per visualizzare il livello della batteria e carica il cavallo per indicare la potenza
3	Індикатор заряду	Відображає рівень заряду акумулятора в відсотках.
4	Індикатор часу зарядження	Показує приблизний час повного заряду акумулятора (Time To Full) або повного розряду акумулятора (Time To Empty) в годинах (H) або хвилинах (M).
5	Індикатор живлення	Показує вхідну або вихідну потужність в ватах (W) або кіловатах (kW). При перемиканні між висотою AC 50 Hz і 60 Hz індикатор потужності відображатиме "50F" або "60F" для позначення обраної частоти.
6	Індикатор заряду автомобільного акумулятора	"Car-Start" з'являється, коли пристрій готовий до зарядження акумулятора вашого автомобіля або коли він вже заряджає його.
7	Індикатори функцій	DC, Car, USB-A, USB-C, AC - індикатор активних портів. LIGHT - увімкнений лістар.
8	Зарядка автомобільного акумулятора	"Completed" - заряджається. "Failed" - не заряджається.

### Поширені питання

Як станція безпечно розсіює тепло без вентиляторів?  
В SuperBase використовується високоякісна схема, яка генерує менше тепла в цілому, а алюмінієвий корпус допомагає розсіювати тепло, що забезпечує тишу роботи.  
Як довго можна зберігати SuperBase?  
Якщо Ви зберігаєте станцію більше трьох місяців, переконайтеся, що батарея заряджена щонайменше на 50%. Кожні шість місяців повністю розряджайте та заряджайте акумулятор, щоб продовжити термін служби.  
Скільки часу потрібно для повної зарядки?  
При одночасному використанні мережевих/сонячних панелей, а також зарядного порту Car і USB Type-C зарядка на максимальній швидкості займе близько 4,5 годин.  
Інші способи зарядження:  
- Від мережі: 9 годин.  
- Прикурювач: 8,5 годин.  
- USB-C: 10,5 годин.  
- Сонячна енергія: 7 годин при використанні панелі, потужністю 150W з енергоефективністю 750W/m<sup>2</sup>.

Чи можна заряджати одночасно від сонячних панелей та автомобільного прикурювача?  
Ви можете заряджати станцію обома пристроями одночасно, щоб скоротити час зарядження.  
Чи можна використовувати станцію під час зарядження?  
SuperBase адаптат одночасно заряджатися самі і заряджати сторонні пристрої. Якщо вихідна потужність більше за вхідну, то починає використовуватись заряд збудованого акумулятору. Коли станція розряджена зовнішні порти вимкнуть.  
Чи вимкнуться екстремальні температури?  
Станція може заряджатися при температурі до 45°C і заряджати сторонні пристрої при температурі до 60°C.  
Чи вимкнуться SuperBase автоматично?  
Станція автоматично вимкнеться тільки в тому випадку, якщо рівень заряду дуже низький або спробоювати одні із зовнішніх механізмів.  
Що означає, коли на екрані з'являється "SUS"?  
"SUS" вказує на вхід з діапазону робочих температур. В такому випадку SuperBase перестав зар

### Комплектація



### Параметри

	ZDSB1000M
	1016.16Wh (14.6V/69.6Ah)
	359mm x 190mm x 138mm
	8.55kg
	-20°C~40°C
	0°C~40°C
<b>Вхід</b>	
	18-24V, 120W Max
	18-24V, 120W Max
	5V~2.4A, 9V/12V/15V/20V~3A, 20V~5A, 100W Max
	12.6V~10A, 126W Max
<b>Вихід</b>	
	230V~50/60Hz, Rated 1000W, Peak1500W
	12V~6A, each port 72W Max, total 120W
	5V~2.4A, 9V/12V/15V/20V~3A, 20V~5A, 100W Max
	5V~2.4A, 12W Max
	12V~10A, 120W Max

### Правила безпеки

Будь ласка, прочитайте цей розділ повністю. Недотримання належних заходів безпеки може призвести до ураження електричним струмом, пожежі, вибуху, травми, смерті, пошкодження майна або втрати гарантії.  
1. Будь ласка, прочитайте Подручник користувача перед використанням.  
2. Не вставляйте в роз'єми AC сторонні предмети.  
3. Не відкривайте та не розбирайте станцію.  
4. Не намагайтеся вносити зміни в конструкцію SuperBase.  
5. Не закривайте станцію у воду або інші рідини.  
6. Не розміщуйте SuperBase поблизу джерела полум'я.  
7. Не використовуйте і не заряджайте станцію, якщо вона виглядає пошкодженою.  
8. При використанні змінного або постійного струму для зарядки SuperBase використовуйте тільки комплектні кабелі.  
9. Не використовуйте сонячні панелі, які не відповідають характеристикам станції.  
10. Якщо станція виглядає напруженою, запах або дим, перегрівається або є інші зовнішні ознаки несправності, негайно припиніть зарядку та використання і зв'яжіться з продавцем.  
11. Використовуйте станцію тільки з пристроями, які відповідають технічним характеристикам.  
12. Уникайте короткого замикання.  
13. Перед зарядженням від мережі, переконайтеся що напруга відповідає характеристикам станції.  
14. Будь ласка, утримуйте всі частини станції відповідно до місцевих правил.  
15. Не використовуйте SuperBase на висоті понад 2000 метрів

16. Станція містить дрібні деталі, які слід зберігати в недоступному для дітей місці.  
17. Не намагайтеся замінити внутрішню батарею SuperBase.  
18. Зберігайте станцію сухою. Не використовуйте SuperBase у вологих, мокрих або брудних місцях.  
19. Не використовуйте станцію під час грози.  
20. Не намагайтеся не стискайте та не проколуйте SuperBase. Не дозволяється піддавати станцію великим фізичним навантаженням.  
21. Якщо SuperBase потрапила у воду, обов'язково відключіть станцію від мережі.  
22. Не використовуйте SuperBase в сильних електричних, магнітних або електромагнітних полях.  
23. Уникайте контакту металевих предметів з портами станції.  
24. Не кидайте SuperBase у вогонь.

### Усунення несправностей

Станція не вмикається, а виходи не працюють	<ul style="list-style-type: none"> <li>Переконайтеся, що станція знаходиться у відповідному температурному діапазоні.</li> <li>Вимкніть всі електричні пристрої, зарядіть SuperBase протягом 5-10 хвилин і увімкніть її знову.</li> </ul>
Станція можна увімкнути, але один або декілька виходів не працюють	<ul style="list-style-type: none"> <li>Переконайтеся, що станція заряджена.</li> <li>Переконайтеся, що вхідні порти чи входи не заблоковані або не загорюються.</li> <li>Відключіть всі зовнішні пристрої, вимкніть станцію, увімкніть її та спробуйте підключити ці пристрої знову.</li> <li>Спробуйте підключити зовнішній пристрій до іншого джерела живлення, щоб переконаватися, що він працює.</li> </ul>
Станція несподівано вимкнеться під час використання	<ul style="list-style-type: none"> <li>Внутрішня система безпеки вимкне станцію у разі надмірного заряджання/вирозрядження, екстремальної температури, перевищення по струму або короткого замикання.</li> <li>Відключіть все електричне обладнання, переконайтеся, що температурний діапазон відповідає характеристикам і зарядіть станцію протягом 5-10 хвилин. Перед повторним підключенням будь-якого обладнання переконайтеся, що воно в справному.</li> </ul>
Станція не заряджається	<ul style="list-style-type: none"> <li>Переконайтеся, що технічні характеристики зарядного пристрою відповідають параметрам станції.</li> <li>Переконайтеся, що температура навколишнього середовища знаходиться у відповідному діапазоні.</li> </ul>
Irregular numbers appear on the display На дисплеї з'являються рідкі цифри	<p>7   333 210</p> <p>When the DC/USB/AC/LED button is pressed three times in succession to appear, the screen will display the version number of the current software program and will automatically resume after 3 seconds, without affecting normal use. Якщо кнопку DC/USB/AC/LED натиснути три рази поспіль до появи, на екрані відобразиться номер версії поточної програми та автоматично відрізниться через 3 секунди, не впливаючи на нормальне користування.</p>

### Умови гарантійного обслуговування

Гарантійний термін на Пристрій складає 24 місяці з дати продажу.  
1. Гарантія діє при наявності:  
- роздрукованого документу;  
- цілісності, неушкодженості приладу;  
- заводського маркування.  
2. Гарантія діє при дотриманні умов експлуатації і дотримання правил техніки безпеки.  
3. Гарантія не поширюється на механічні пошкодження;  
4. Гарантійний ремонт не проводиться в наступних випадках:  
- використання приладу не за призначенням;  
- порушення споживачем правил експлуатації та зберігання;  
- прилад отримав механічне пошкодження в результаті транспортування і експлуатації;  
- пошкодження, що виникли внаслідок порушення вимог виробника при експлуатації;  
- пошкодження, що виникли внаслідок форс-мажорних обставин (пожежа, повінь, блискавки і т.д.), а також інші причини, які знаходяться поза контролем продавця і виробника;  
- пошкодження, що виникли внаслідок потраплення всередину рідини;  
- при використанні неоригінальних комплектуючих;  
- ремонт не уповноваженими особами;  
- в разі ознаки зовнішнього або внутрішнього забруднення.  
5. Після закінчення гарантійного терміну експлуатації ремонт проводиться за рахунок споживача.  
УВАГА!